

PARTS CATALOGUE



SCOOTERS

SK60AE(TK)

DOWNTOWN 300i



Release Date : 2011/02/22
Print Date : 2011/07/07

ABOUT THIS PARTS LIST

- This parts list is compiled all service parts for model SK60AE(TK).
- Any difference between color chart and motorcycle will be revised according to motorcycle.
- The Mark:
 1. Marking "***" must add color code in the end before ordering parts.
 2. Marking "#" are parts with modification, Please find the details from e-Parts system.
- When modification or additions to this parts list are made a revised edition at an appropriate time.



CONTENTS

● ABOUT THIS PARTS LIST	1
● COLOR CHART OF SK60AE(TK)	3
● CONTENTS-ENGINE GROUP	11
● CONTENTS-FRAME GROUP	12
● ENGINE PARTS LIST	15
● FRAME PARTS LIST	45
● PART NO. INDEX	119

NO	MODEL			COLOR CHART OF SK60AE(TK)			
	PHOTO NO			NO. 1	NO. 2	NO. 3	NO. 4
	BASIC COLOR			Bright Silver	Dark Gray Metallic	Dark Gray Metallic	Pearly White
	CODE			Bright Silver	Dark Gray Metallic	Dark Gray Metallic	Pearly White
	PARTS NAME	PARTS NO.	VERSION	NH045MA	NH124MA	NH230MA	NH193PA
1	FENDER ASSY FR	61100-LEA7-E00	3	D0C	D0M	D1J	D1S
2	L COVER. COVER COMP	1134A-LEA7-E00	7	D2G			
3	L COVER COVER	1134B-LEA7-E00	0				
4	Cosmetic METER COVER	37216-LEA7-E00	0	F1P			
5	GRIP COMP THROT	53140-LEA7-E00	4	H5R			
6	GRIP COMP L HANDLE	53150-LEA6-900	3				
7	WIND SCREEN	64220-LEA7-E00	0	L9R			
8	LEVER R STRG HANDLE	53175-KKE5-E00	0	M3A			
9	LEVER L STRG HANDLE	53178-KKE5-E00	0				
10	LID FR COVER	64307-LEA7-E00	4	N1P			
11	MESH UNDER COWL	64401-LEA7-E00	2				
12	TUNNEL LEG SHIELD	81141-LEA7-E00	2				
13	MIRROR ASSY.R/H	88110-LEA7-E00	3				
14	MIRROR ASSY.L/H BACK	88120-LEA7-E00	3				
15	COVER UNDER	50613-LEA7-E00	1				
16	COVER, METER FR	53203-LEA7-E00	2	N1R			
17	COVER. METER RR	53204-LEA7-E00	9				
18	COVER. HANDLE UP	53205-LEA7-E00	5				
19	COVER HANDLE LOW	53206-LEA7-E00	2				
20	FENDER FR INNER	61101-LEA7-E00	1				
21	PLUG,WIND SCREEN	64223-LEA7-E00	2				
22	FLOOR PANEL R/L	64310-LEA7-E00	3				
23	LID RESERVE TANK	64311-LEA7-E00	1				
24	BOARD.R PANEL FLOOR	64312-LEA7-E00	6				
25	BOARD.R PANEL FLOOR	64313-LEA7-E00	6				
DATE OF STARTING-SALES							
DATE OF END-SALES							

NO	MODEL			COLOR CHART OF SK60AE(TK)			
	PHOTO NO			NO. 5	NO. 6		
	BASIC COLOR			Ivory White	Dark Redish Brown		
	CODE			Ivory White	Dark Redish Brown		
	PARTS NAME	PARTS NO.	VERSION	NH190PA	RR174MA		
1	FENDER ASSY FR	61100-LEA7-E00	3	D1Y	DDS		
2	L COVER. COVER COMP	1134A-LEA7-E00	7		D2G		
3	L COVER COVER	1134B-LEA7-E00	0				
4	Cosmetic METER COVER	37216-LEA7-E00	0		F1P		
5	GRIP COMP THROT	53140-LEA7-E00	4				
6	GRIP COMP L HANDLE	53150-LEA6-900	3		H5R		
7	WIND SCREEN	64220-LEA7-E00	0		L9R		
8	LEVER R STRG HANDLE	53175-KKE5-E00	0				
9	LEVER L STRG HANDLE	53178-KKE5-E00	0		M3A		
10	LID FR COVER	64307-LEA7-E00	4				
11	MESH UNDER COWL	64401-LEA7-E00	2				
12	TUNNEL LEG SHIELD	81141-LEA7-E00	2		N1P		
13	MIRROR ASSY.R/H	88110-LEA7-E00	3				
14	MIRROR ASSY.L/H BACK	88120-LEA7-E00	3				
15	COVER UNDER	50613-LEA7-E00	1				
16	COVER, METER FR	53203-LEA7-E00	2				
17	COVER. METER RR	53204-LEA7-E00	9				
18	COVER. HANDLE UP	53205-LEA7-E00	5				
19	COVER HANDLE LOW	53206-LEA7-E00	2				
20	FENDER FR INNER	61101-LEA7-E00	1		N1R		
21	PLUG,WIND SCREEN	64223-LEA7-E00	2				
22	FLOOR PANEL R/L	64310-LEA7-E00	3				
23	LID RESERVE TANK	64311-LEA7-E00	1				
24	BOARD.R PANEL FLOOR	64312-LEA7-E00	6				
25	BOARD.R PANEL FLOOR	64313-LEA7-E00	6				
DATE OF STARTING-SALES							
DATE OF END-SALES							

NO	MODEL			COLOR CHART OF SK60AE(TK)							
	PHOTO NO			NO. 1	NO. 2	NO. 3	NO. 4				
	BASIC COLOR			Bright Silver	Dark Gray Metallic	Dark Gray Metallic	Pearly White				
	CODE			Bright Silver	Dark Gray Metallic	Dark Gray Metallic	Pearly White				
	PARTS NAME	PARTS NO.	VERSION	NH045MA	NH124MA	NH230MA	NH193PA				
26	MAT R FLOOR	64320-LEA7-E00	0	N1R							
27	FLOOR PANEL R/L	64330-LEA7-E00	3								
28	MAT L FLOOR	64340-LEA7-E00	0								
29	MAT R LEG SHIELD	64350-LEA7-E00	0								
30	MAT L LEG SHIELD	64360-LEA7-E00	0								
31	COWL UNDER	64400-LEA7-E00	2								
32	UNDER COWL LOW	64500-LEA7-E00	2								
33	FENDER RR TIRE	80100-LEA7-E00	2								
34	FENDER RR INNER	80101-LEA7-E00	2								
35	FENDER RR	80105-LEA7-E00	1								
36	FENDER LOW. RR.	80106-LEA7-E00	3								
37	COVER LICENSE LIGHT	80107-LEA7-E00	0								
38	COVER CENTER	80151-LEA7-E00	1								
39	COVER PLUG MAINT	80152-LEA7-E00	2								
40	LEG SHIELD	81131-LEA7-E00	1								
41	LID L/H FR INNER BOX	81132-LEA7-E00	3								
42	BOX L/H FR INNER	81134-LEA7-E00	1								
43	FR INNER BOX.ASSY.	8113A-LEA7-E00	9								
44	COVER PROTECTOR	83503-KHD6-900	2								
45	COVER FR	64301-LEA7-E00	2					N8P			
46	COVER R BODY	83500-LEA7-E00	0								
47	COVER L BODY	83600-LEA7-E00	0								
48	COVER RR CENTER	83750-LEA7-E00	2					NFP			
49	COVER COMP RIGHT	11330-LEA7-E00	7								
50	COVER WATER PUMP	19221-LGE5-E00	1								
DATE OF STARTING-SALES								NEA			
DATE OF END-SALES											

NO	MODEL			COLOR CHART OF SK60AE(TK)						
	PHOTO NO			NO. 5	NO. 6					
	BASIC COLOR			Ivory White	Dark Redish Brown					
	CODE			Ivory White	Dark Redish Brown					
	PARTS NAME	PARTS NO.	VERSION	NH190PA	RR174MA					
26	MAT R FLOOR	64320-LEA7-E00	0	N1R						
27	FLOOR PANEL R/L	64330-LEA7-E00	3							
28	MAT L FLOOR	64340-LEA7-E00	0							
29	MAT R LEG SHIELD	64350-LEA7-E00	0							
30	MAT L LEG SHIELD	64360-LEA7-E00	0							
31	COWL UNDER	64400-LEA7-E00	2							
32	UNDER COWL LOW	64500-LEA7-E00	2							
33	FENDER RR TIRE	80100-LEA7-E00	2							
34	FENDER RR INNER	80101-LEA7-E00	2							
35	FENDER RR	80105-LEA7-E00	1							
36	FENDER LOW. RR.	80106-LEA7-E00	3							
37	COVER LICENSE LIGHT	80107-LEA7-E00	0							
38	COVER CENTER	80151-LEA7-E00	1							
39	COVER PLUG MAINT	80152-LEA7-E00	2							
40	LEG SHIELD	81131-LEA7-E00	1							
41	LID L/H FR INNER BOX	81132-LEA7-E00	3							
42	BOX L/H FR INNER	81134-LEA7-E00	1							
43	FR INNER BOX.ASSY.	8113A-LEA7-E00	9							
44	COVER PROTECTOR	83503-KHD6-900	2							
45	COVER FR	64301-LEA7-E00	2							
46	COVER R BODY	83500-LEA7-E00	0							
47	COVER L BODY	83600-LEA7-E00	0							
48	COVER RR CENTER	83750-LEA7-E00	2							
49	COVER COMP RIGHT	11330-LEA7-E00	7							
50	COVER WATER PUMP	19221-LGE5-E00	1							
DATE OF STARTING-SALES										
DATE OF END-SALES										

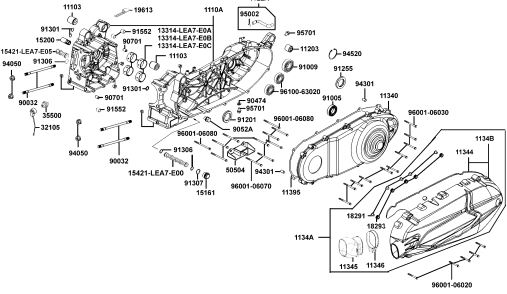
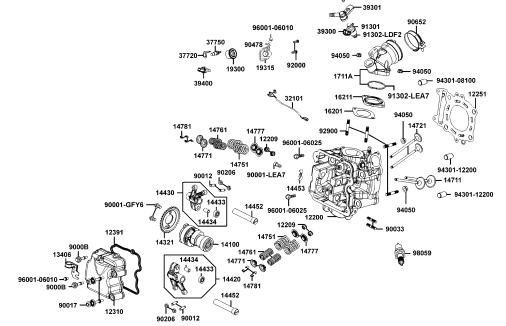
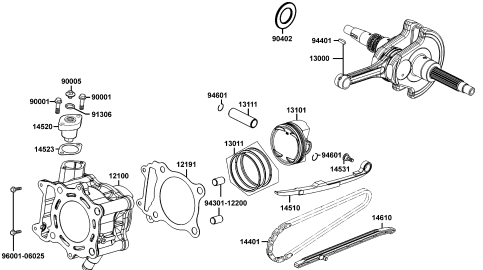
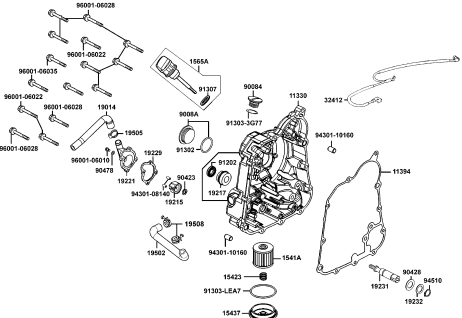
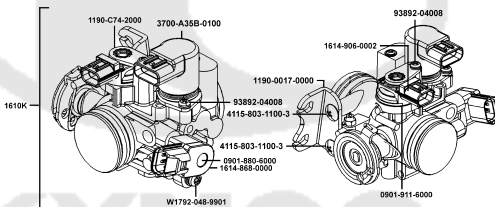
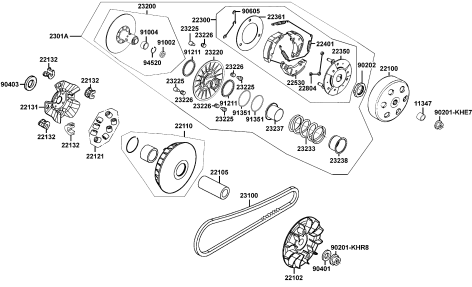
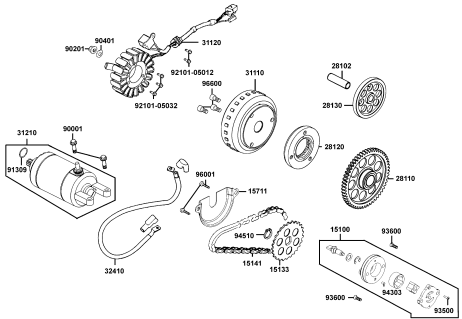
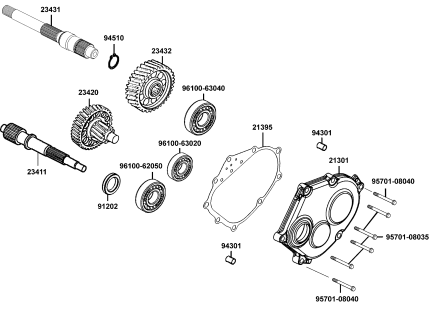
NO	MODEL			COLOR CHART OF SK60AE(TK)							
	PHOTO NO			NO. 1	NO. 2	NO. 3	NO. 4				
	BASIC COLOR			Bright Silver	Dark Gray Metallic	Dark Gray Metallic	Pearly White				
	CODE			Bright Silver	Dark Gray Metallic	Dark Gray Metallic	Pearly White				
	PARTS NAME	PARTS NO.	VERSION	NH045MA	NH124MA	NH230MA	NH193PA				
51	WHEEL COMP.. RR	42601-LEA7-E00	7	NEA							
52	CALIPER ASSY. RR	43100-LEA7-E00	6								
53	WHEEL ASSY FR	44600-LEA7-305	0								
54	CALIPER ASSY. FR	45200-LEA7-E00	6								
55	FORK ASSY FR R	51400-LEA7-E00	3								
56	BOTTOM CASE R	51420-LEA7-E00	0								
57	FORK ASSY FR L	51500-LEA7-E00	3								
58	BOTTOM CASE L	51520-LEA7-E00	0								
59	FORK ASSY. RR	52000-LEA7-E00	9								
60	BOARD R FR COVER	64303-LEA7-E00	0					NEP			
61	BOARD L FR COVER	64304-LEA7-E00	0								
62	SKIRT R SIDE	64305-LEA7-E00	2								
63	SKIRT L SIDE	64306-LEA7-E00	2								
64	MOLDING RR CENTER	83751-LEA7-E00	1								
65	CUSHION ASSY, RR	52400-LEA7-E00	1	NES							
66	SEAT ASSY	77200-LEA7-305	0								
67	EMB K-LOGO 30MM	86102-LEA5-E00	1	T01							
68	EMB BODY COVER	86202-LEA7-E01	0								
69	EMB MARK MIT	87140-LDG7-M00	0								
70	EMB MARK 300i	87140-LEA7-E00	0								
71	LABEL TIRE	87505-LEA7-E01	0								
72	LABEL CLEANNESS	87508-KKC4-E00	1								
73	CAUTION FILTER	87512-KEBE-E00	0								
74	CAUTION SIDE STAND	87541-GAR1-E00	1								
75	CAUTION MOBILE	87541-KKC2-E00	1								
DATE OF STARTING-SALES											
DATE OF END-SALES											

NO	MODEL			COLOR CHART OF SK60AE(TK)			
	PHOTO NO			NO. 5	NO. 6		
	BASIC COLOR			Ivory White	Dark Redish Brown		
	CODE			Ivory White	Dark Redish Brown		
	PARTS NAME	PARTS NO.	VERSION	NH190PA	RR174MA		
51	WHEEL COMP.. RR	42601-LEA7-E00	7	NEA			
52	CALIPER ASSY. RR	43100-LEA7-E00	6				
53	WHEEL ASSY FR	44600-LEA7-305	0				
54	CALIPER ASSY. FR	45200-LEA7-E00	6				
55	FORK ASSY FR R	51400-LEA7-E00	3				
56	BOTTOM CASE R	51420-LEA7-E00	0				
57	FORK ASSY FR L	51500-LEA7-E00	3				
58	BOTTOM CASE L	51520-LEA7-E00	0				
59	FORK ASSY. RR	52000-LEA7-E00	9				
60	BOARD R FR COVER	64303-LEA7-E00	0				
61	BOARD L FR COVER	64304-LEA7-E00	0				
62	SKIRT R SIDE	64305-LEA7-E00	2				
63	SKIRT L SIDE	64306-LEA7-E00	2				
64	MOLDING RR CENTER	83751-LEA7-E00	1	NES			
65	CUSHION ASSY, RR	52400-LEA7-E00	1				
66	SEAT ASSY	77200-LEA7-305	0	T01			
67	EMB K-LOGO 30MM	86102-LEA5-E00	1				
68	EMB BODY COVER	86202-LEA7-E01	0				
69	EMB MARK MIT	87140-LDG7-M00	0				
70	EMB MARK 300i	87140-LEA7-E00	0				
71	LABEL TIRE	87505-LEA7-E01	0				
72	LABEL CLEANNESS	87508-KKC4-E00	1				
73	CAUTION FILTER	87512-KEBE-E00	0				
74	CAUTION SIDE STAND	87541-GAR1-E00	1				
75	CAUTION MOBILE	87541-KKC2-E00	1				
DATE OF STARTING-SALES							
DATE OF END-SALES							

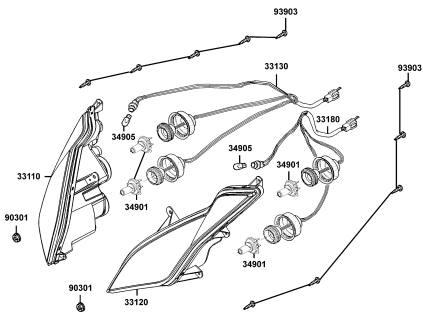
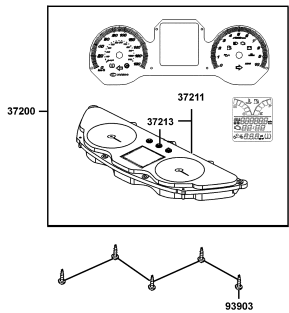
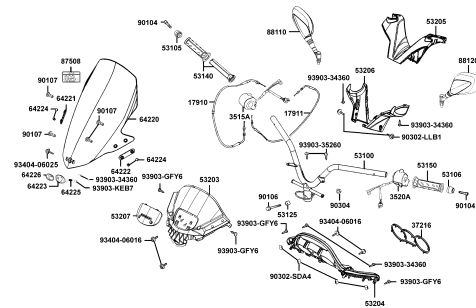
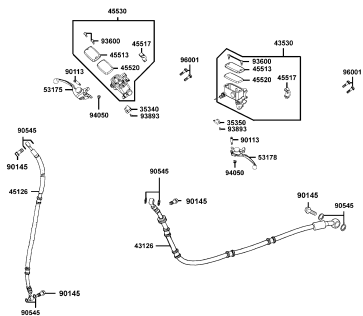
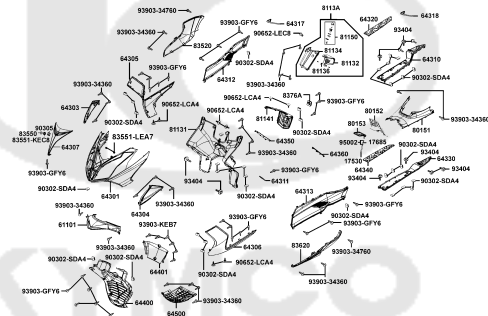
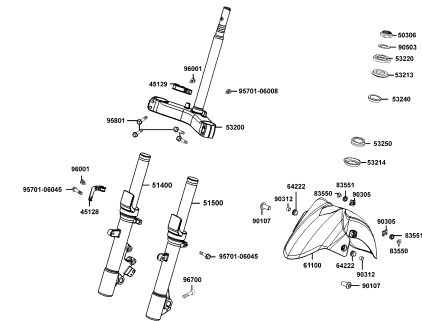
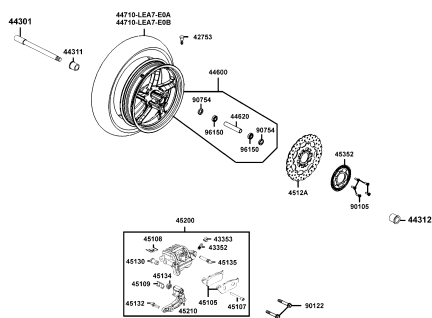
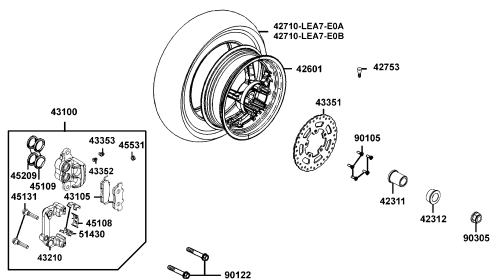
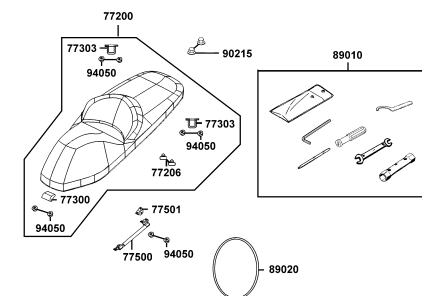
NO	MODEL			COLOR CHART OF SK60AE(TK)			
	PHOTO NO			NO. 1	NO. 2	NO. 3	NO. 4
	BASIC COLOR			Bright Silver	Dark Gray Metallic	Dark Gray Metallic	Pearly White
	CODE			Bright Silver	Dark Gray Metallic	Dark Gray Metallic	Pearly White
	PARTS NAME	PARTS NO.	VERSION	NH045MA	NH124MA	NH230MA	NH193PA
76	MARK MAINT CAUTION	87542-GAR1-E00	2	T01			
77	MARK DRIVE CAUTION	87560-LEA7-E00	0				
78	MODEL REAR	87571-HCKC-B00	6				
79	MUFFLER ASSY. EXH	1830A-LEA7-E00	9	YYA			
80	TAIL CAP MUFFLER	18306-LEA7-E00	1	YYP			
81	PROTECTOR MUFFLER	18318-LEA7-E00	1				
82	COMP RR CARRIER	81200-LEA7-E00	6				
83	PLUG RR CARRIER	81210-LEA7-E00	2				
84	PLUG L/H RR CARRIER	81220-LEA7-E00	2				
85	COVER. R SIDE	83520-LEA7-E00	4				
86	COVER. L SIDE	83620-LEA7-E00	4				
87	PROTECTOR,EXHAUST	18325-LEA7-E00	0	YYS			
DATE OF STARTING-SALES							
DATE OF END-SALES							

NO	MODEL			COLOR CHART OF SK60AE(TK)			
	PHOTO NO			NO. 5	NO. 6		
	BASIC COLOR			Ivory White	Dark Redish Brown		
	CODE			Ivory White	Dark Redish Brown		
	PARTS NAME	PARTS NO.	VERSION	NH190PA	RR174MA		
76	MARK MAINT CAUTION	87542-GAR1-E00	2	T01	YYA		
77	MARK DRIVE CAUTION	87560-LEA7-E00	0				
78	MODEL REAR	87571-HCKC-B00	6				
79	MUFFLER ASSY. EXH	1830A-LEA7-E00	9	YYP	YYYS		
80	TAIL CAP MUFFER	18306-LEA7-E00	1				
81	PROTECTOR MUFFLER	18318-LEA7-E00	1				
82	COMP RR CARRIER	81200-LEA7-E00	6				
83	PLUG RR CARRIER	81210-LEA7-E00	2				
84	PLUG L/H RR CARRIER	81220-LEA7-E00	2				
85	COVER. R SIDE	83520-LEA7-E00	4				
86	COVER. L SIDE	83620-LEA7-E00	4				
87	PROTECTOR,EXHAUST	18325-LEA7-E00	0				
DATE OF STARTING-SALES							
DATE OF END-SALES							

CONTENTS - ENGINE GROUP

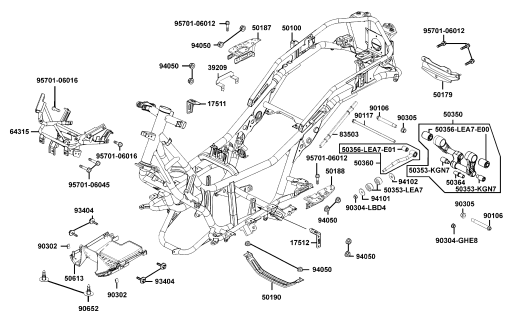
<p>E01 Crank Case</p> 	<p>E02 Cylinder Head Cover Cylinder</p> 	<p>E03 Cylinder Piston Crankshaft</p> 
<p>E04 Right Crankcase Cover Water</p> 	<p>E05 Throttle Body Assy</p> 	<p>E06 Drive Pulley</p> 
<p>E07 Starting Motor Generator</p> 	<p>E08 Shaft Reduction</p> 	

CONTENTS - FRAME GROUP

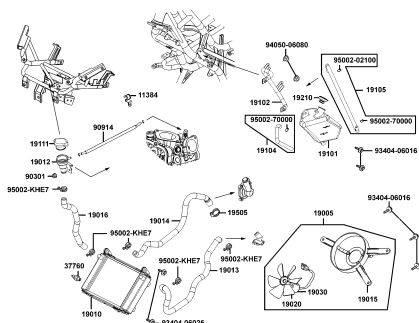
F01 Head Light

F02 Speed meter

F03 Handle Steering

F04 Master Cylinder

F05 Fender Front

F06 Stem Steering

F07 Front Wheel

F08 Rear Wheel

F09 Seat


CONTENTS - FRAME GROUP

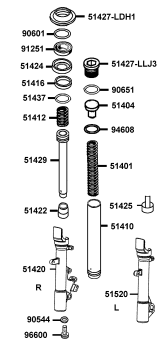
F19 Frame Body



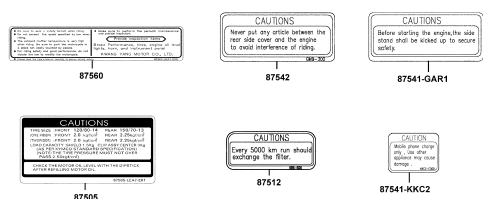
F20 Radiator



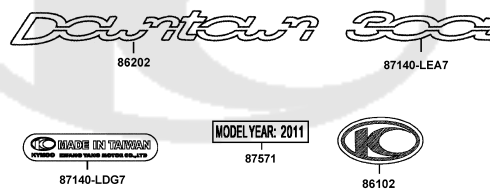
F21 Separated Parts Of Fr Fork



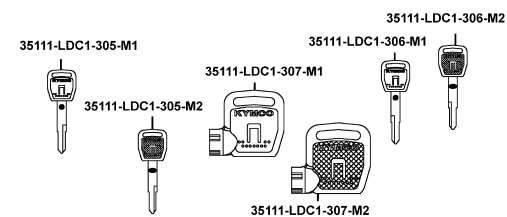
F22 Caution Label



F23 Emblem Stripe

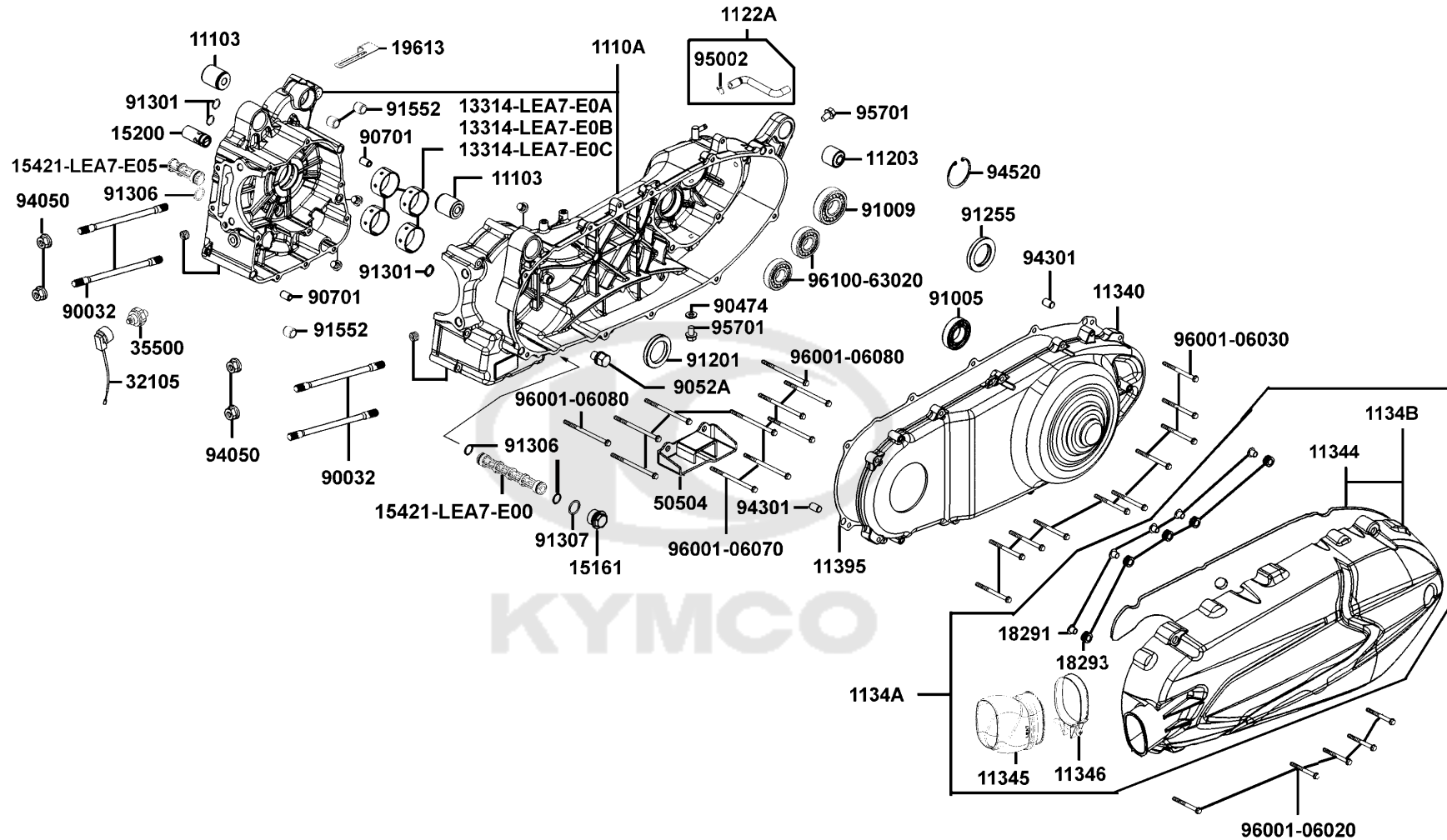


F24 KEY



E01

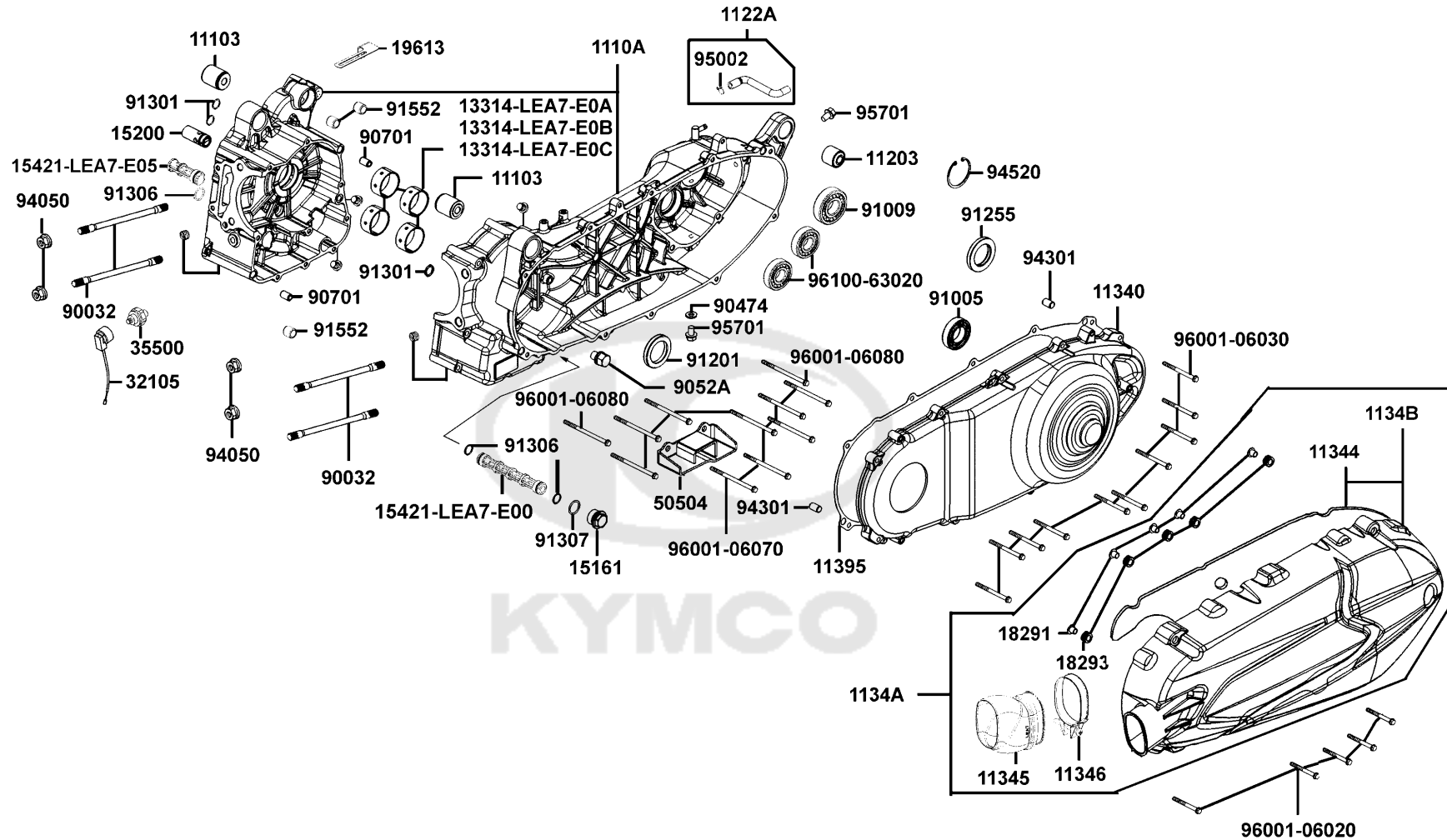
Crank Case



Sales mark	Ref no	Part no	Description	Reg description	Regd no	E01
	11103	11103-KHE7-900	RUB BUSH ENG HANGER	RUB BUSH ENG HANGER	2	
	1110A	1110A-LEA7-E05	CASE R/L ASSY	CASE R/L ASSY	1	
	11203	11203-LBA2-E00	RUB BUSH L CASE	RUB BUSH L CASE	1	
	1122A	1122A-LEA7-E00	TUBE ASSY BREATHER	TUBE ASSY BREATHER	1	
	11340	11340-LEA7-E00	COVER L SIDE	COVER L SIDE	1	
	11344	11344-LEA7-E00	FOAM TEXTURE	FOAM TEXTURE	1	
	11345	11345-LEA7-E00	DUCT L COVER	DUCT L COVER	1	
	11346	11346-GFY6-901	BAND L COVER DUCT	BAND L COVER DUCT	1	
**	1134A	1134A-LEA7-E00	L COVER COVER COMP	L COVER COVER COMP	1	
**	1134B	1134B-LEA7-E00	L COVER COVER	L COVER COVER	1	
	11395	11395-LEA7-E00	GASKET L COVER	GASKET L COVER	1	
	13314-LEA7-E0A	13314-LEA7-E0A	BEARING CRANK SHAFT A RED	BEARING CRANK SHAFT A RED (1.995~1.998)	1	
	13314-LEA7-E0B	13314-LEA7-E0B	BEARING CRANK SHAFT A GREEN	BEARING CRANK SHAFT A GREEN	1	
	13314-LEA7-E0C	13314-LEA7-E0C	BEARING CRANK SHAFT A BLACK	BEARING CRANK SHAFT A BLACK	1	
	15161	15161-PUA5-E00	PLUG SCREW SECTION FILTER	PLUG SCREW SECTION FILTER	1	
	15200	15200-KED9-900	OIL RELIEF VALVE ASSY	OIL RELIEF VALVE ASSY	1	
	15421-LEA7-E00	15421-LEA7-E00	SCREEN OIL FILTER	SCREEN OIL FILTER	1	
	15421-LEA7-E05	15421-LEA7-E05	SCREEN OIL FILTER	SCREEN OIL FILTER	1	
	18291	18291-KKC4-900	COLLAR	COLLAR	5	
	18293	18293-KKC4-900	RUBBER	RUBBER	5	

E01

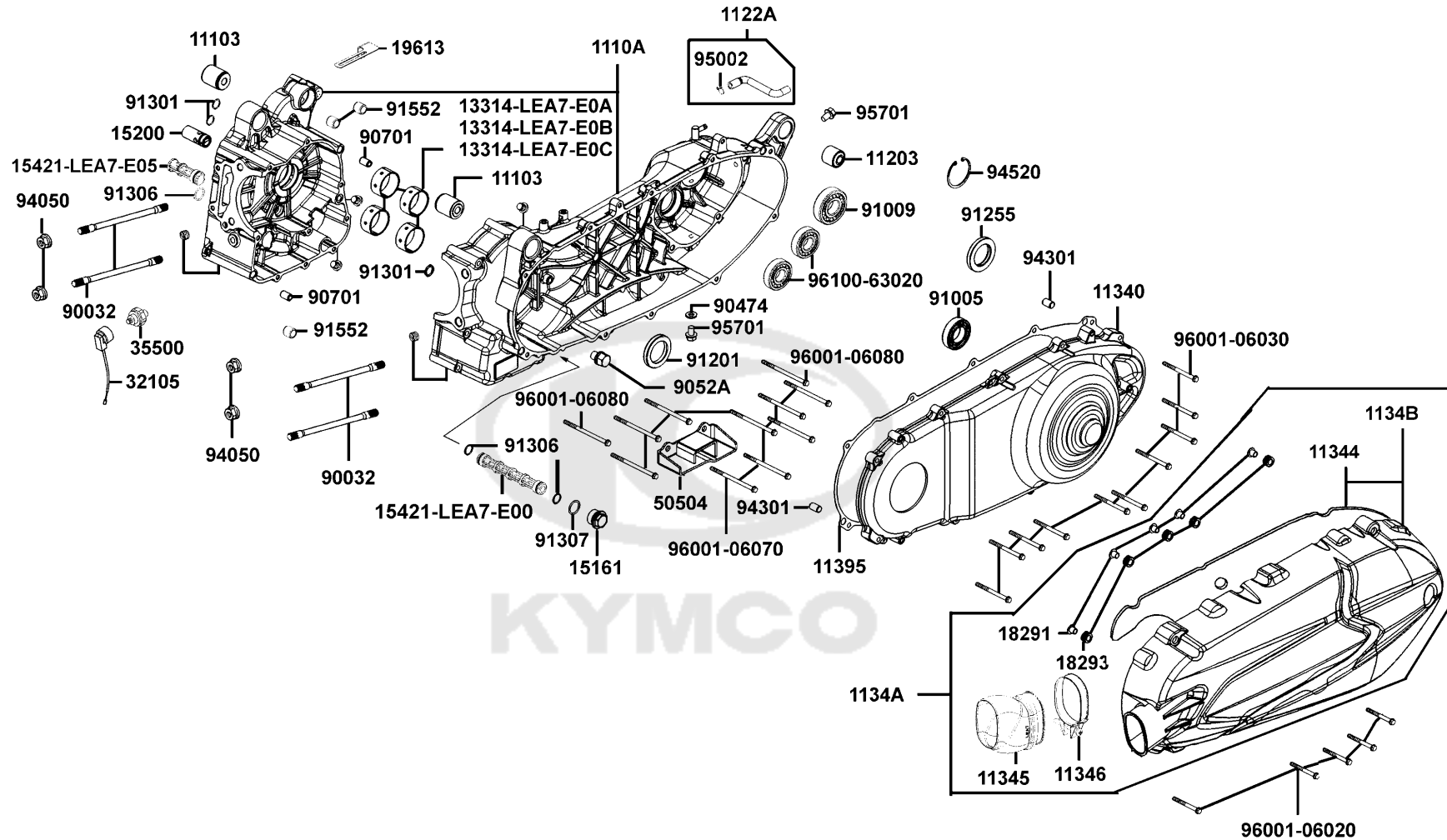
Crank Case



Sales mark	Ref no	Part no	Description	Reg description	Regd no	E01
	19613	19613-LEA7-E00	CLAMPER STARTER MOTOR CORD	CLAMPER STARTER MOTOR CORD	1	
	32105	32105-LLJ3-E00	SUB HARNESS	SUB HARNESS	1	
	35500	35500-KED9-900	SW ASSY OIL PRESSURE	SW ASSY OIL PRESSURE	1	
	50504	50504-LEA7-E05	STOPPER PLATE LMAIN STAND	STOPPER PLATE LMAIN STAND	1	
	90032	90032-LEA7-E00	BOLT B STUD 10*180	BOLT B STUD 10*180	4	
	90474	90474-3C33-001	WASHER 8MM	WASHER 8MM	1	
	9052A	9052A-LEB1-900	BOLT ASSY DRAIN PLUG	BOLT ASSY DRAIN PLUG	1	
	90701	90701-9E65-001	PIN DOWEL 10*16	PIN DOWEL 10*16	2	
	91005	91005-LBA7-900	BEARING BALL RADIAL 6005LLU	BEARING BALL RADIAL 6005LLU	1	
	91009	91009-KHE7-900	BRG BALL RADIAL 6205LLU	BRG BALL RADIAL 6205LLU	1	
	91201	91201-LEA7-E00	OIL SEAL 35*50*7	OIL SEAL 35*50*7	1	
	91255	91255-KHE7-900	OIL SEAL 34*52*7	OIL SEAL 34*52*7	1	
	91301	91301-2L00-001	O-RING 6.8*1.9	O-RING 6.8*1.9	3	
	91306	91306-PUA5-E00	O-RING 13*1.5	O-RING 13*1.5	2	
	91307	91307-PUA5-E00	O-RING 18*2	O-RING 18*2	1	
	91552	91552-LEA7-E00	COLLAR.10.5MM	COLLAR.10.5MM	3	
	94050	94050-10060	NUT FLANGE 10MM	NUT FLANGE 10MM	4	
	94301	94301-10160	DOWEL PIN 10*16	DOWEL PIN 10*16	2	
	94520	94520-47000	CIR CLIP IN 47	CIR CLIP IN 47	1	
	95002	95002-50000	CLIP C9 TUBE	CLIP C9 TUBE	1	

E01

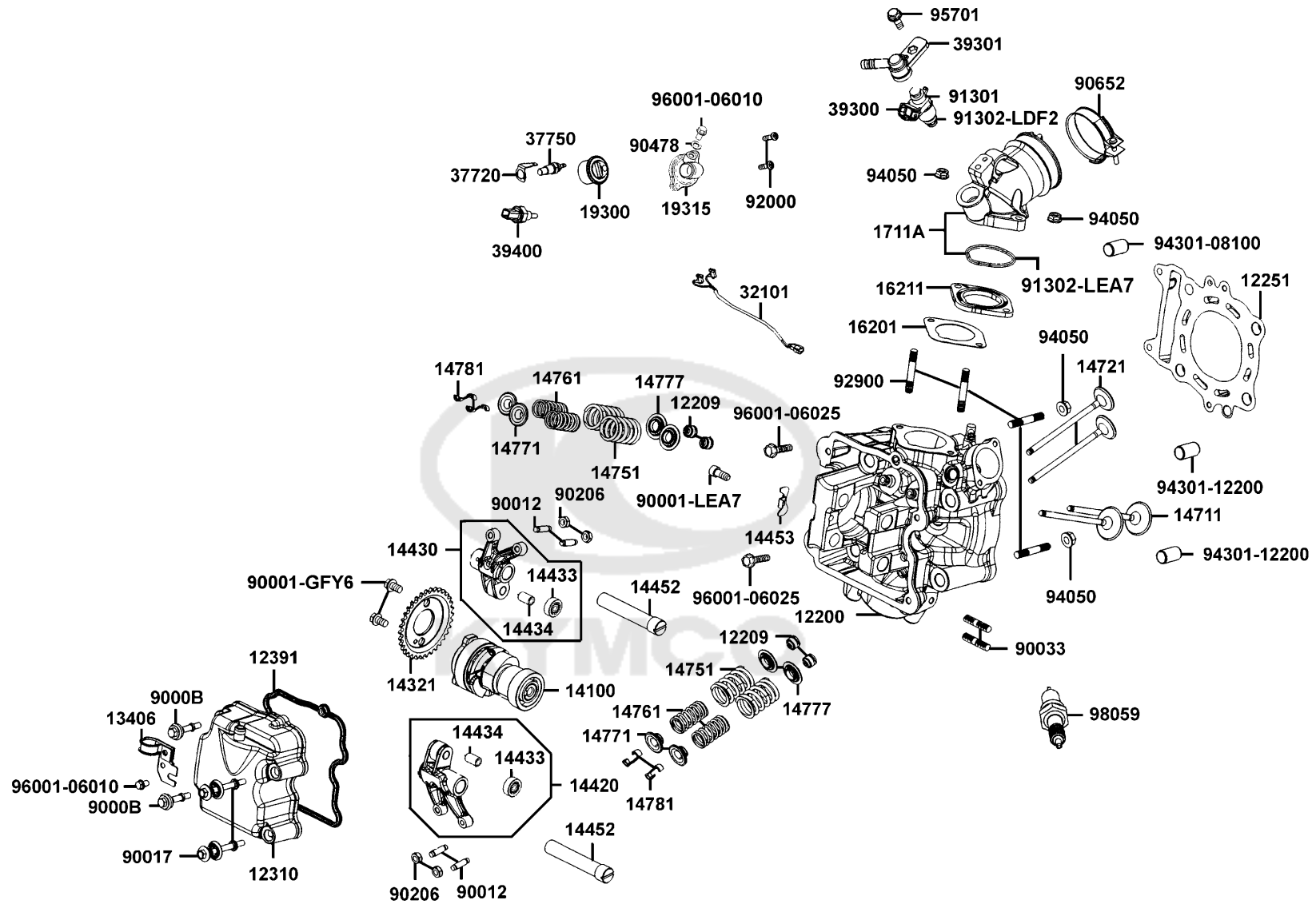
Crank Case



Sales mark	Ref no	Part no	Description	Reg description	Regd no	E01
	95701	95701-08012-08	BOLT FLANGE 8*12	BOLT FLANGE 8*12	2	
	96001-06020	96001-06020-06	BOLT FLANGE 6*20	BOLT FLANGE 6*20	5	
	96001-06030	96001-06030-08	BOLT FLANGE SH 6*30	BOLT FLANGE SH 6*30	10	
	96001-06070	96001-06070-08	BOLT FLANGE SH 6*70	BOLT FLANGE SH 6*70	6	
	96001-06080	96001-06080-08	BOLT FLANGE SH 6*80	BOLT FLANGE SH 6*80	2	
	96100-63020	96100-63020-00	BRG BALL RADIAL 6302	BRG BALL RADIAL 6302	2	

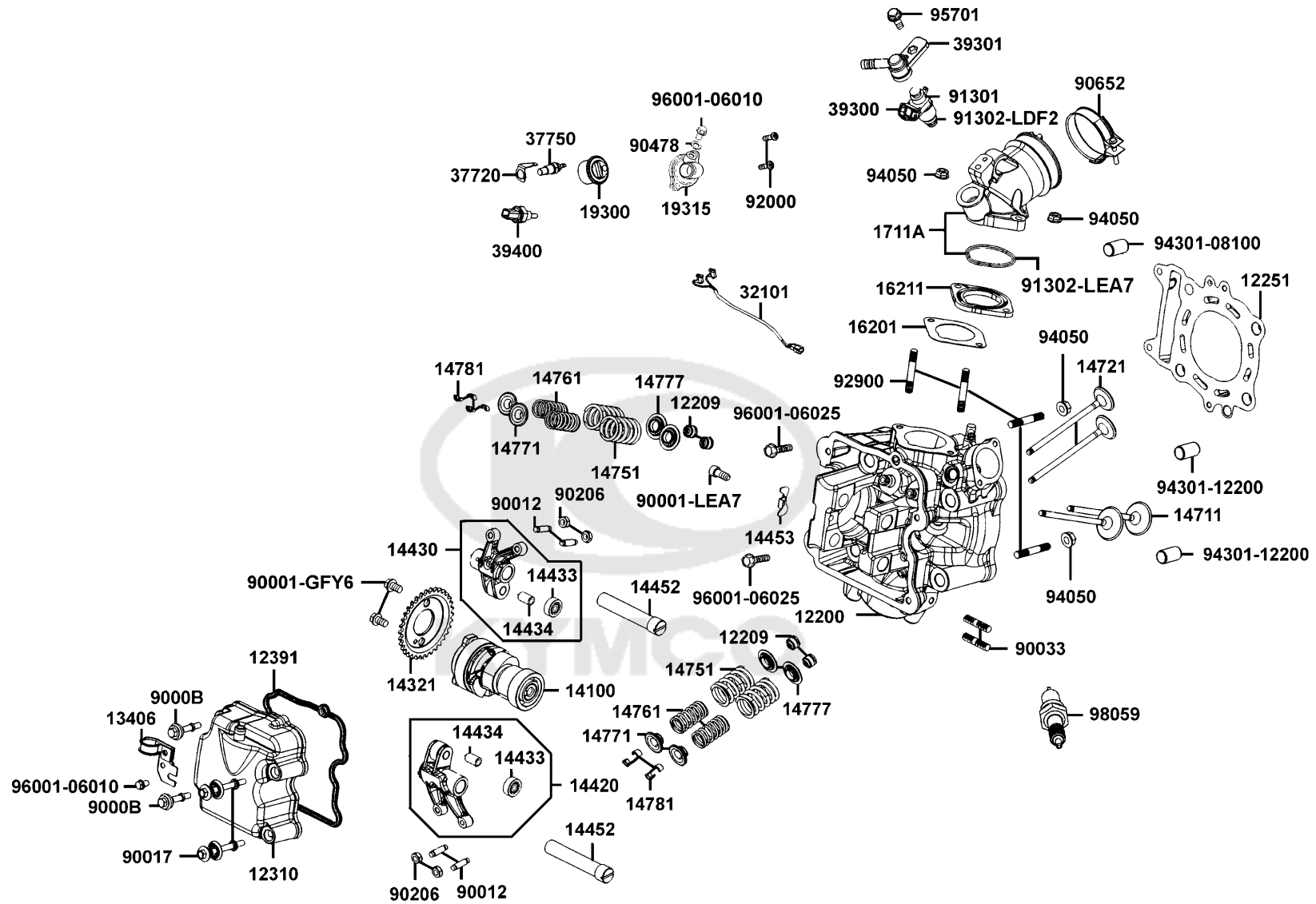


Cylinder Head Cover Cylinder Head



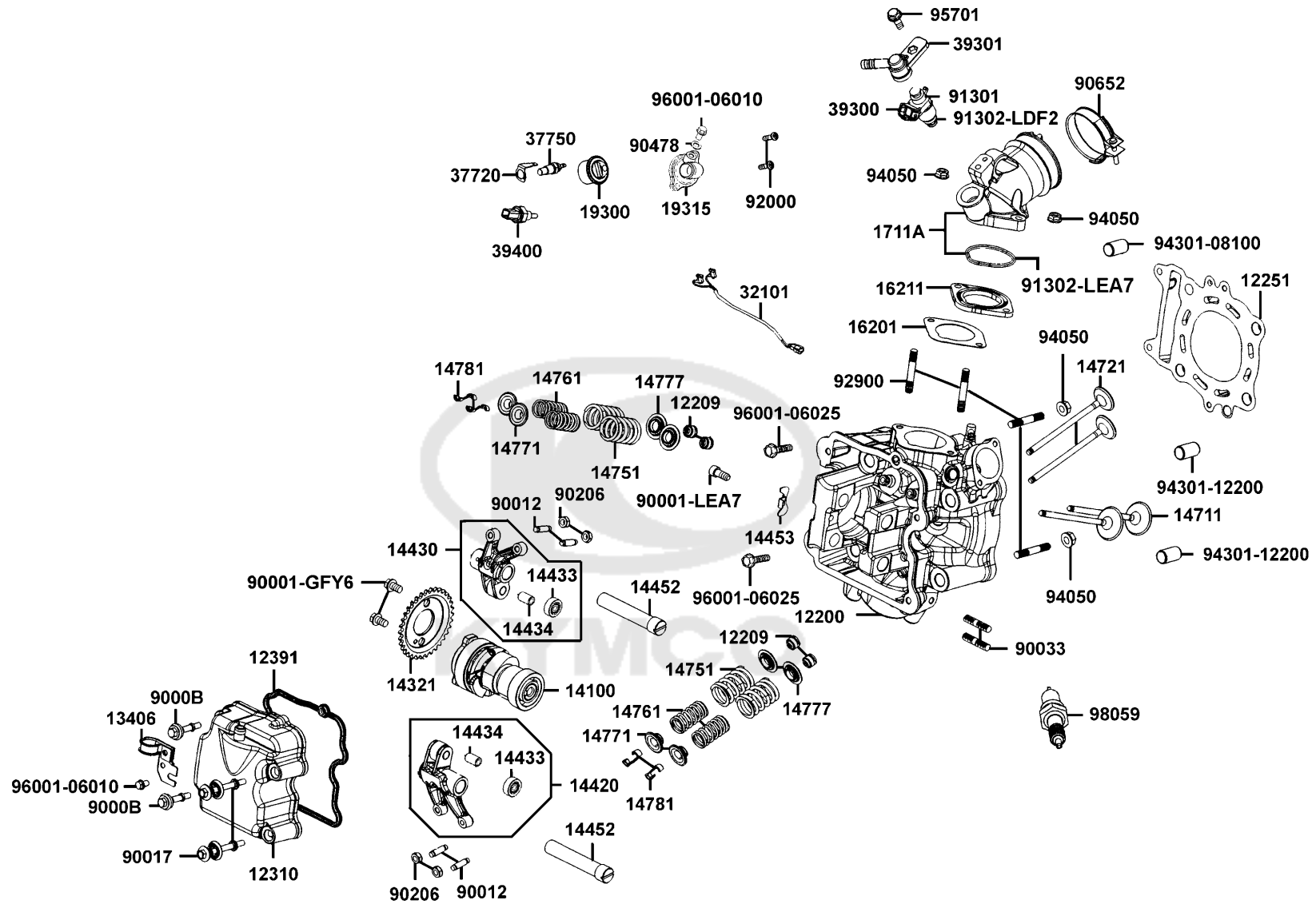
Sales mark	Ref no	Part no	Description	Reg description	Regd no	E02
12200		12200-LEA7-E00	HEAD COMP CYL N	HEAD COMP CYL N	1	
12209		12209-GDB4-68A	SEAL VALVE STEM	SEAL VALVE STEM	4	
12251		12251-LEA7-E00	GASKET CLINDER HEAD	GASKET CLINDER HEAD	1	
12310		12310-LEA7-E00	COVER COMP CYLN HEAD	COVER COMP CYLN HEAD	1	
12391		12391-LEA7-E00	GASKET HEAD COVER	GASKET HEAD COVER	1	
13406		13406-LEA7-E00	PLATE FUEL IN JECTOR	PLATE FUEL IN JECTOR	1	
14100		14100-LEA7-E00	SHAFT COMP CAM	SHAFT COMP CAM	1	
14321		14321-LEA7-E00	SPROCKET CAMSHAFT	SPROCKET CAMSHAFT	1	
14420		14420-LEA7-E00	ARM COMP EXH VALVE ROCKER	ARM COMP EXH VALVE ROCKER	1	
14430		14430-LEA7-E00	ARM COMP IN VALVE ROCKER	ARM COMP IN VALVE ROCKER	1	
14433		14433-PTA1-900	ROCKER ASSY ROCKER ARM	ROCKER ASSY ROCKER ARM	2	
14434		14434-PTA1-900	PIN ROCKER ARM	PIN ROCKER ARM	2	
14452		14452-LEA7-E00	SHAFT EX ROCKER ARM	SHAFT EX ROCKER ARM	2	
14453		14453-LEA7-E00	SET PLATE ROCKER ARM SHAFT	SET PLATE ROCKER ARM SHAFT	1	
14711		14711-LEA7-E00	VALVA INLET	VALVA INLET	2	
14721		14721-LEA7-E00	VALVE EXHAUST	VALVE EXHAUST	2	
14751		14751-LEA7-E00	SPRING VALVE OUTER	SPRING VALVE OUTER	4	
14761		14761-LEA7-E00	SPRING VALVE INNER	SPRING VALVE INNER	4	
14771		14771-GDB4-680	RETAINER VALVE SPRING	RETAINER VALVE SPRING	4	
14777		14777-LBA2-E00	SEAT VALVE SPG	SEAT VALVE SPG	4	

Cylinder Head Cover Cylinder Head



Sales mark	Ref no	Part no	Description	Reg description	Regd no	E02
14781		14781-MFA6-001	COTTER VALVE	COTTER VALVE	8	
16201		16201-LEA7-E00	GASKET CARB INSULATOR @A	GASKET CARB INSULATOR @A	1	
16211		16211-LEA7-E00	INSULATOR CARB	INSULATOR CARB	1	
1711A		1711A-LEA7-E05	PIPE ASSY INLET	PIPE ASSY INLET	1	
19300		19300-LFA7-E0A	THERMOSTAT ASSY.	THERMOSTAT ASSY.	1	
19315		19315-LFA7-E00	COVER COMP THERMOSTAT	COVER COMP THERMOSTAT	1	
32101		32101-LEA7-E00	SUB HARNESS THERMO UNIT	SUB HARNESS THERMO UNIT	1	
37720		37720-KGB5-900	EARTH TERMINAL THERMO	EARTH TERMINAL THERMO	1	
37750		37750-PAC1-005	THERMO UNIT ASSY	THERMO UNIT ASSY	1	
39300		39300-LDF2-M90	INJECTOR UNIT FUEL	INJECTOR UNIT FUEL	1	
39301		39301-LDF2-M90	CUP COMP FUEL INJECTOR	CUP COMP FUEL INJECTOR	1	
39400		39400-LDF2-800	WATER TEMP SENSOR	WATER TEMP SENSOR	1	
90001-GFY6		90001-GFY6-901	SOCKET BOLT 6*10	SOCKET BOLT 6*10	1	
90001-LEA7		90001-LEA7-E00	SOCKET BOLT	SOCKET BOLT	1	
9000B		9000B-KHD6-900	BOLT ASSY SPECIAL 6*41.5	BOLT ASSY SPECIAL 6*41.5	2	
90012		90012-3C33-001	SCREW TAPPET ADJUSTING	SCREW TAPPET ADJUSTING	4	
90017		90017-KKE5-E00	BOLT ASSY HEAD COVER	BOLT ASSY HEAD COVER	2	
90033		90033-KGB4-C00	BOLT STUD 8*40	BOLT STUD 8*40	2	
90206		90206-0A01-001	NUT TAPPET ADJG	NUT TAPPET ADJG	4	
90478		90478-7L00-001	WASHER 6MM	WASHER 6MM	1	

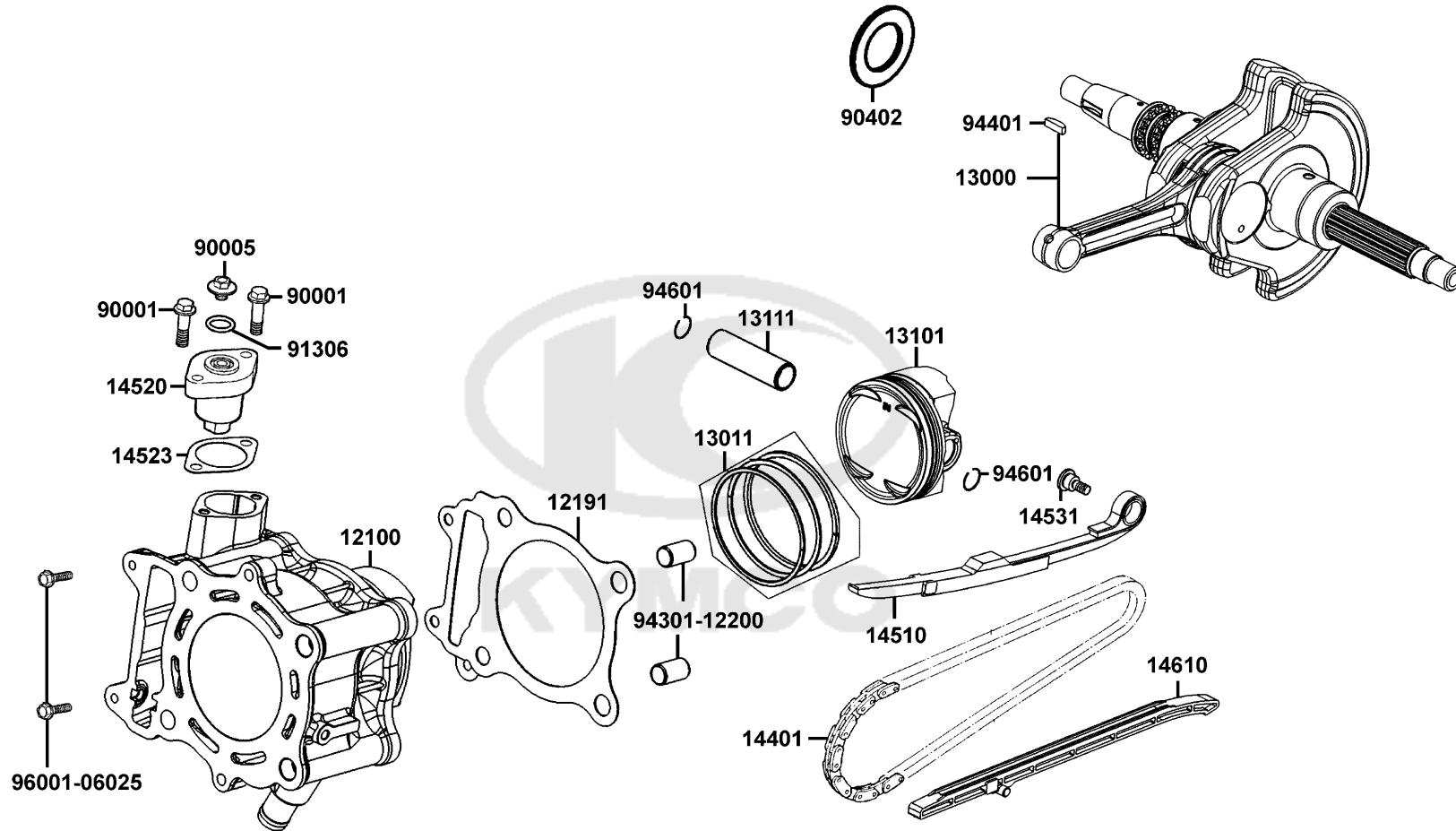
Cylinder Head Cover Cylinder Head



Sales mark	Ref no	Part no	Description	Reg description	Regd no	E02
90652		90652-LDG7-900	C-HOPE 10-59	C-HOPE 10-59	1	
91301		91301-LDF2-M90	O-RING	O-RING	1	
91302-LDF2		91302-LDF2-M90	SEAL RING	SEAL RING	1	
91302-LEA7		91302-LEA7-E00	O-RING	O-RING	1	
92000		92000-05016-0H	BOLT HEX 5*16	BOLT HEX 5*16	2	
92900		92900-06040-0E	BOLT STUD 6*40	BOLT STUD 6*40	4	
94050		94050-06080	NUT FLANGE 6MM	NUT FLANGE 6MM	4	
94301-08100		94301-08100	DOWEL PIN 8*10	DOWEL PIN 8*10	1	
94301-12200		94301-12200	DOWEL PIN 12*20	DOWEL PIN 12*20	2	
95701		95701-06016-08	BOLT FLANGE 6*16	BOLT FLANGE 6*16	1	
96001-06010		96001-06010-06	BOLT FLANGE 6*10	BOLT FLANGE 6*10	3	
96001-06025		96001-06025-06	BOLT FLANGE 6*25	BOLT FLANGE 6*25	2	
98059		98059-57916-00	SPARK PLUG CR7E	SPARK PLUG CR7E	1	

E03

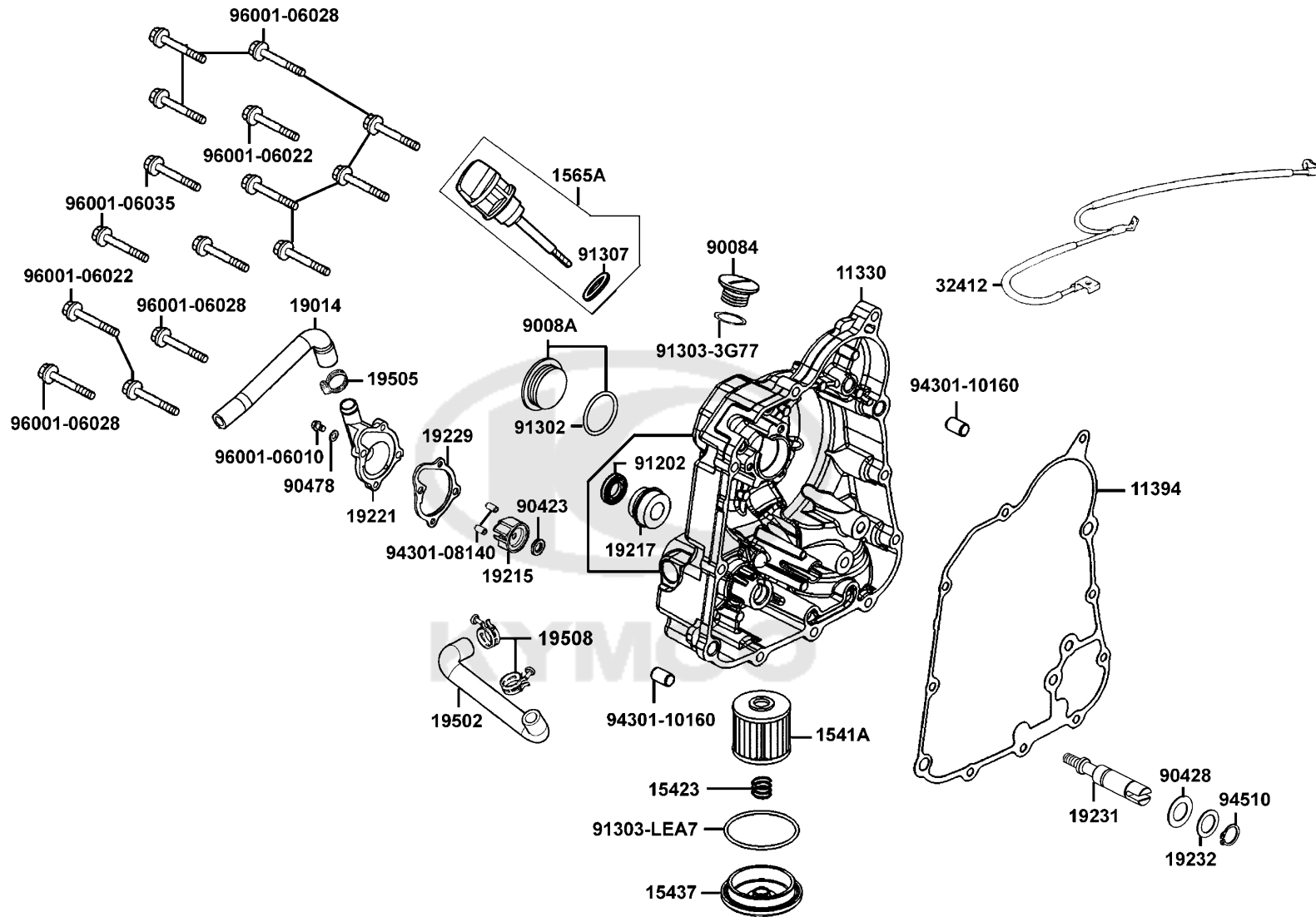
Cylinder Piston Crankshaft



Sales mark	Ref no	Part no	Description	Reg description	Regd no	E03
	12100	12100-LEA7-E00	CYLINDER COMP	CYLINDER COMP	1	
	12191	12191-LEA7-E00	GASKET CYLINDER	GASKET CYLINDER	1	
	13000	13000-LEA7-E00	CRANK SHAFT COMP	CRANK SHAFT COMP	1	
	13011	13011-LEA7-E00	RING SET PISTON	RING SET PISTON	1	
	13101	13101-LEA7-E00	PISTON	PISTON	1	
	13111	13111-LEA7-E00	PIN PISTON	PIN PISTON	1	
	14401	14401-PWB1-900	CHAIN CAM	CHAIN CAM	1	
	14510	14510-LEA7-E00	TENSIONER CAM CHAIN	TENSIONER CAM CHAIN	1	
	14520	14520-KED9-900	LIFTER ASSY TENSIONER	LIFTER ASSY TENSIONER	1	
	14523	14523-GFY6-901	GASKET TENSIONER LIFTER @ A	GASKET TENSIONER LIFTER @A	1	
	14531	14531-KHE7-900	PIVOT CAM CHAIN TENSIONER	PIVOT CAM CHAIN TENSIONER	1	
	14610	14610-LEA7-E00	GUIDE COMP CAM CHAIN	GUIDE COMP CAM CHAIN	1	
	90001	90001-GBHB-661	BOLT FLANGE SH 6*22	BOLT FLANGE SH 6*22	2	
	90005	90005-KEC8-900	BOLT SPECIAL 6*6	BOLT SPECIAL 6*6	1	
	90402	90402-LEA7-E00	THRUST WASHER 36X60X3	THRUST WASHER 36X60X3	1	
	91306	91306-1E05-691	O-RING 1.5*9.5	O-RING 1.5*9.5	1	
	94301-12200	94301-12200	DOWEL PIN 12*20	DOWEL PIN 12*20	2	
	94401	94401-25140	WOODRUFF KEY 25*14	WOODRUFF KEY 25X14	1	
	94601	94601-17000	CLIP PISTON PIN 17MM	CLIP PISTON PIN 17MM	2	
	96001-06025	96001-06025-06	BOLT FLANGE 6*25	BOLT FLANGE 6*25	2	

E04

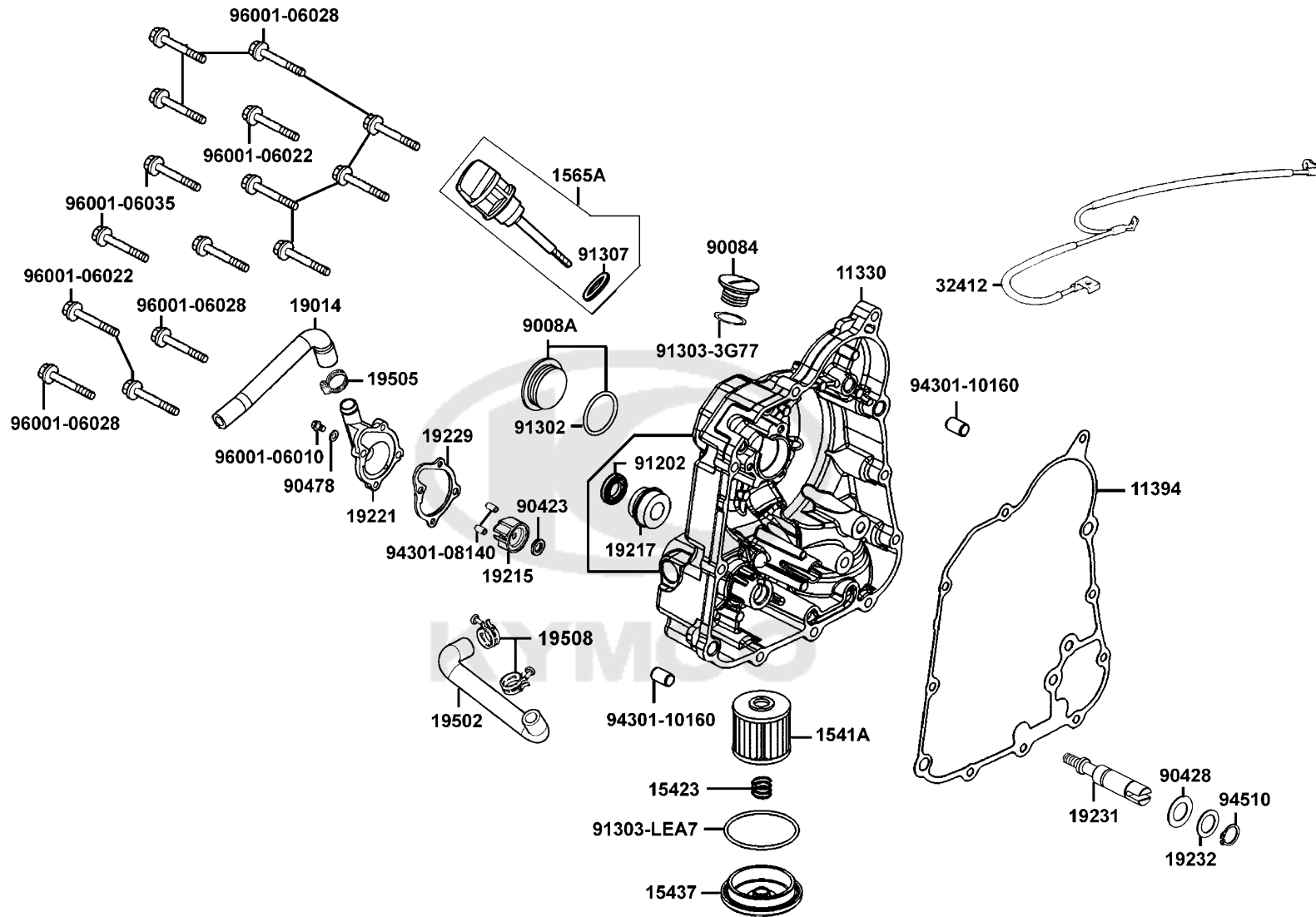
Right Crankcase Cover Water Pump



Sales mark	Ref no	Part no	Description	Reg description	Regd no	E04
**	11330	11330-LEA7-E00	COVER COMP RIGHT CRANK CASE	COVER COMP RIGHT CRANK CASE	1	
	11394	11394-LEA7-E00	GASKET R COVER	GASKET R COVER	1	
	1541A	1541A-LEA7-E00	ELEMENT ASSY OIL FILTER	ELEMENT ASSY OIL FILTER	1	
	15423	15423-KKC3-900	SPRING CAP OIL	SPRING CAP OIL	1	
	15437	15437-LEA7-E00	CAP OIL FILTER	CAP OIL FILTER	1	
	1565A	1565A-LGF9-E00	GUIDE OIL LEVEL ASSY	GUIDE OIL LEVEL ASSY	1	
	19014	19014-LEA7-E00	HOSE WATER OUTLET	HOSE WATER OUTLET	1	
	19215	19215-LEA7-E00	IMPELLER WATER PUMP	IMPELLER WATER PUMP	1	
	19217	19217-6G57-024	SEAL MECHANICAL	SEAL MECHANICAL	1	
**	19221	19221-LGE5-E00	COVER WATER PUMP	COVER WATER PUMP	1	
	19229	19229-LEA7-E00	GASKET WATER PUMP	GASKET WATER PUMP	1	
	19231	19231-LEA7-E00	SHAFT WATER PUMP	SHAFT WATER PUMP	1	
	19232	19232-LBA2-E00	WASHER 21*13.8*1.5	WASHER 21*13.8*1.5	1	
	19502	19502-LEA7-E00	HOSE B WATER	HOSE B WATER	1	
	19505	19505-LBA2-E00	CLAMP WATER HOSE	CLAMP WATER HOSE	1	
	19508	19508-LBA2-E00	CLAMP WATER HOSE	CLAMP WATER HOSE	2	
	32412	32412-LEA7-E00	CABLE EARTH	CABLE EARTH	1	
	90084	90084-KKF9-901	CAP ACG	CAP AC GENERATOR	1	
	9008A	9008A-KBE2-900	CAP ASSY 30MM	CAP ASSY 30MM	1	
	90423	90423-KKJ9-001	WASHER 7.2*13*1.2	WASHER 7.2*13*1.2	1	

E04

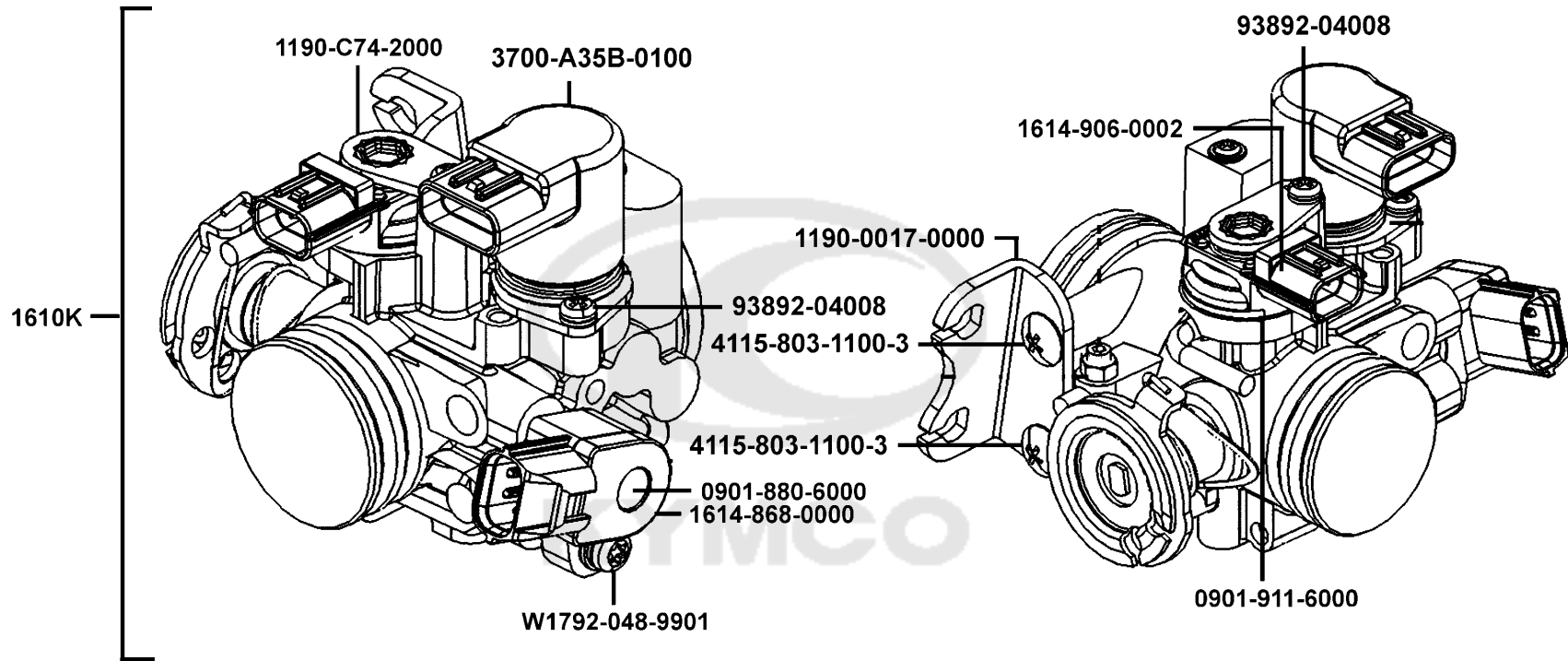
Right Crankcase Cover Water Pump



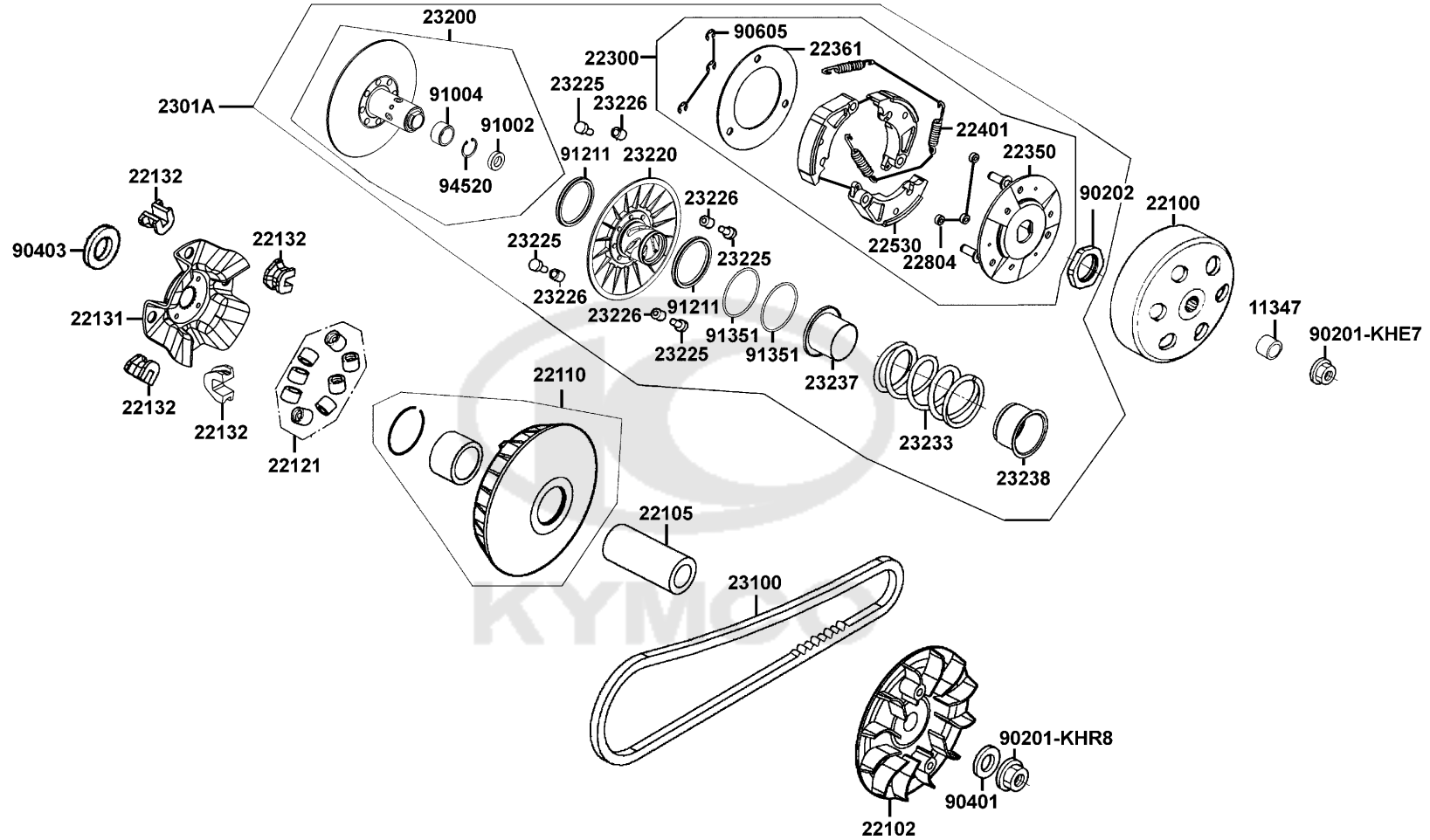
Sales mark	Ref no	Part no	Description	Reg description	Regd no	E04
90428		90428-9H58-001	WASHER THRUST 14MM	WASHER THRUST 14MM	1	
90478		90478-7L00-001	WASHER 6MM	WASHER 6MM	1	
91202		91202-KGB4-C00	OIL SEAL 13.7*24*5	OIL SEAL 13.7*24*5	1	
91302		91302-5G67-004	O-RING 27.4*2.4	O-RING 27.4*2.4	1	
91303-3G77		91303-3G77-001	O-RING 13.8*2.5	O-RING 13.8*2.5	1	
91303-LEA7		91303-LEA7-E00	O-RING 52.5x2.5	O-RING 52.5x2.5	1	
91307		91307-0E35-001	O RING 18*3	O RING 18*3	1	
94301-08140		94301-08140	DOWEL PIN 8*14	DOWEL PIN 8*14	2	
94301-10160		94301-10160	DOWEL PIN 10*16	DOWEL PIN 10*16	2	
94510		94510-14000	CIR CLIP EXTERNAL 14	CIR CLIP EX 14	1	
96001-06010		96001-06010-00	BOLT FLANGE SH 6X10	BOLT FLANGE SH 6X10	1	
96001-06022		96001-06022-08	BOLT FLANGE SH 6*22	BOLT FLANGE SH 6*22	3	
96001-06028		96001-06028-08	BOLT FLANGE SH 6*28	BOLT FLANGE SH 6*28	10	
96001-06035		96001-06035-08	BOLT FLANGE SH 6*35 (G)	BOLT FLANGE SH 6*35 (G)	2	

E05

Throttle Body Assy



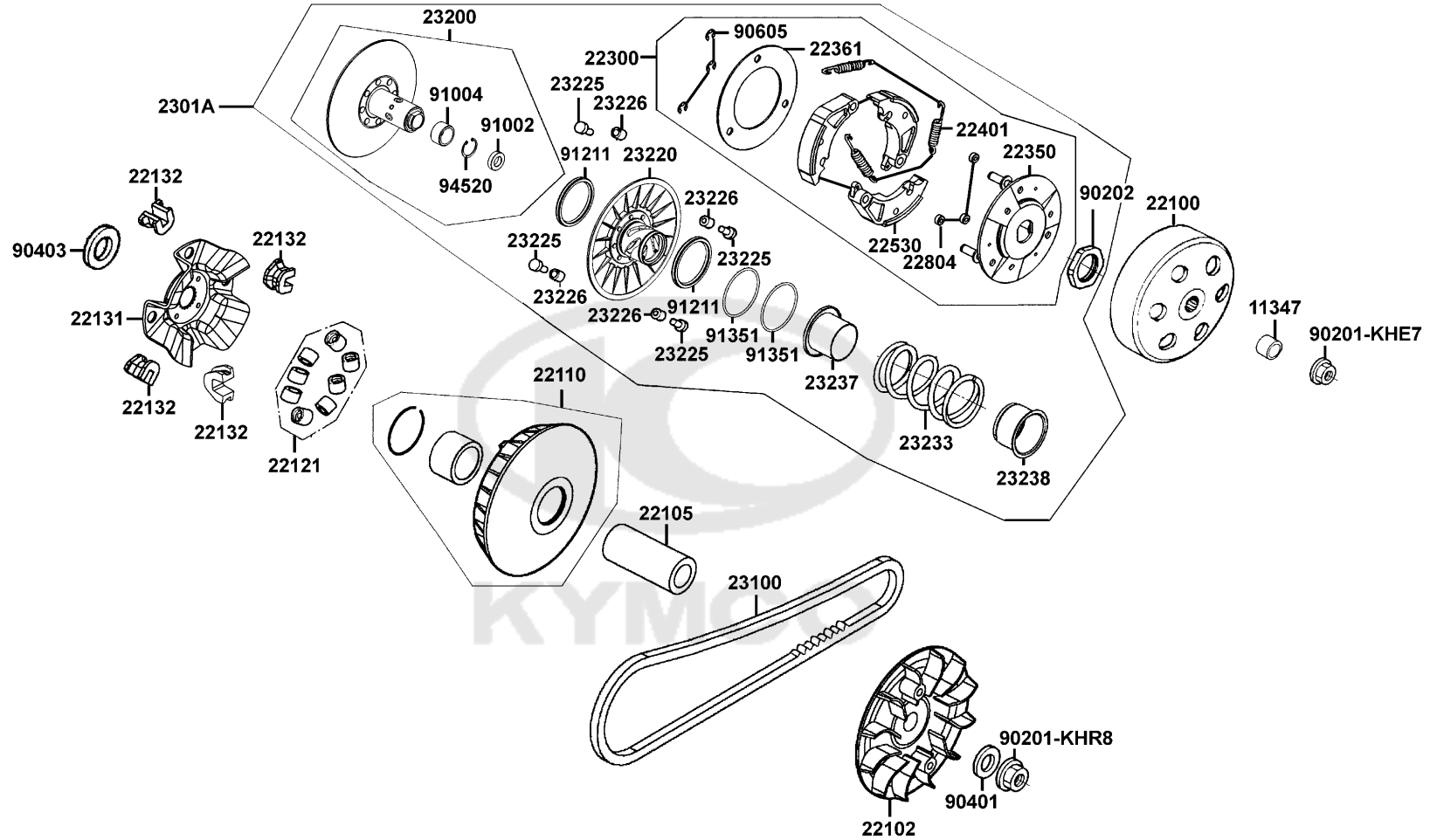
Sales mark	Ref no	Part no	Description	Reg description	Regd no	E05
	0901-880-6000	0901-880-6000	O-RING/TPS	O-RING/TPS	1	
	0901-911-6000	0901-911-6000	O-RING	O-RING	1	
	1190-0017-0000	1190-0017-0000	BRACKET/THROTTLE CABLE	BRACKET/THROTTLE CABLE	1	
	1190-C74-2000	1190-C74-2000	STAY PLATE	STAY PLATE	1	
	1610K	1610K-LEA7-E00	THROTTLE BODY ASSY	THROTTLE BODY ASSY	1	
	1614-868-0000	1614-868-0000	THROTTLE POSITION SENSER	THROTTLE POSITION SENSER	1	
	1614-906-0002	1614-906-0002	MAP SENSOR	MAP SENSOR	1	
	3700-A35B-0100	3700-A35B-0100	ISC VALVE	ISC VALVE	1	
	4115-803-1100-3	4115-803-1100-3	SCREW PAN	SCREW PAN	2	
	93892-04008	93892-04008-18	SCREW WASHER	SCREW WASHER	2	
	W1792-048-9901	W1792-048-9901	SCREW TORX M5*0.8/TPS	SCREW TORX M5*0.8/TPS	1	



Sales mark	Ref no	Part no	Description	Reg description	Regd no	E06
11347		11347-LEA7-E00	BOSS DRIVE SHAFT	BOSS DRIVE SHAFT	1	
22100		22100-LEA7-E00	OUTER COMP CLUTCH	OUTER COMP CLUTCH	1	
22102		22102-LEA7-E00	FACE DRIVE	FACE DRIVE	1	
22105		22105-LGF9-E00	BOSS DRIVE FACE	BOSS DRIVE FACE	1	
22110		22110-LGE5-E00	FACE COMP MOVABLE DRIVE	FACE COMP MOVABLE DRIVE	1	
22121		22121-LEA7-E00	ROLLER COMP WEIGHT	ROLLER COMP WEIGHT	8	
22131		22131-LGE5-E00	PLATE RAMP	PLATE RAMP	1	
22132		22132-PWB1-900	PIECE SLIDE	PIECE SLIDE	4	
22300		22300-LGE5-E00	PLATE ASSY DRIVE	PLATE ASSY DRIVE	1	
22350		22350-KHE7-900	PLATE COMP DRIVE	PLATE COMP DRIVE	1	
22361		22361-LEA7-E00	PLAT CLUCTH SIDE	PLAT CLUCTH SIDE	1	
22401		22401-KHE7-900	SPRING CLUTCH	SPRING CLUTCH	3	
22530		22530-LGE5-E00	WEIGHT CLUTCH	WEIGHT CLUTCH	3	
22804		22804-GBB2-001	RUBBER CLUTCH DUMPER	RUBBER CLUTCH DUMRER	3	
2301A		2301A-LGE5-E00	PULLEY SUB ASSY	PULLEY SUB. ASSY	1	
23100		23100-LEA7-E00	BELT DRIVE	BELT DRIVE	1	
23200		23200-LGE5-E00	FACE ASSY DRIVEN	FACE ASSY DRIVEN	1	
23220		23220-LGE5-E00	FACE COMP MOVABLE DRIVEN	FACE COMP MOVABLE DRIVEN	1	
23225		23225-LEA7-E00	PIN. ROLLER GUIDE	PIN. ROLLER GUIDE	4	
23226		23226-LEA7-E00	ROLLER GUIDE	ROLLER GUIDE	4	

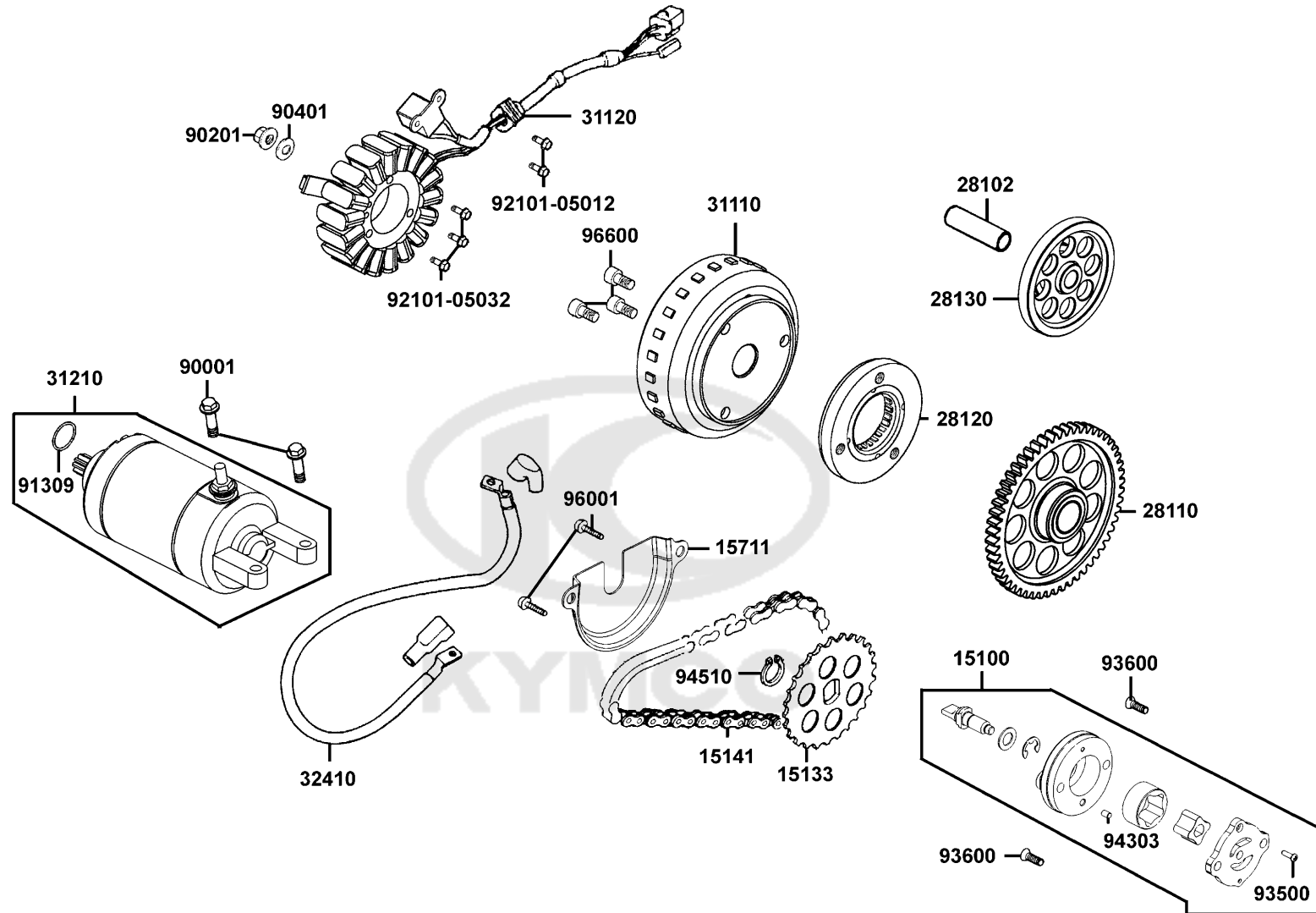
E06

Drive Pulley



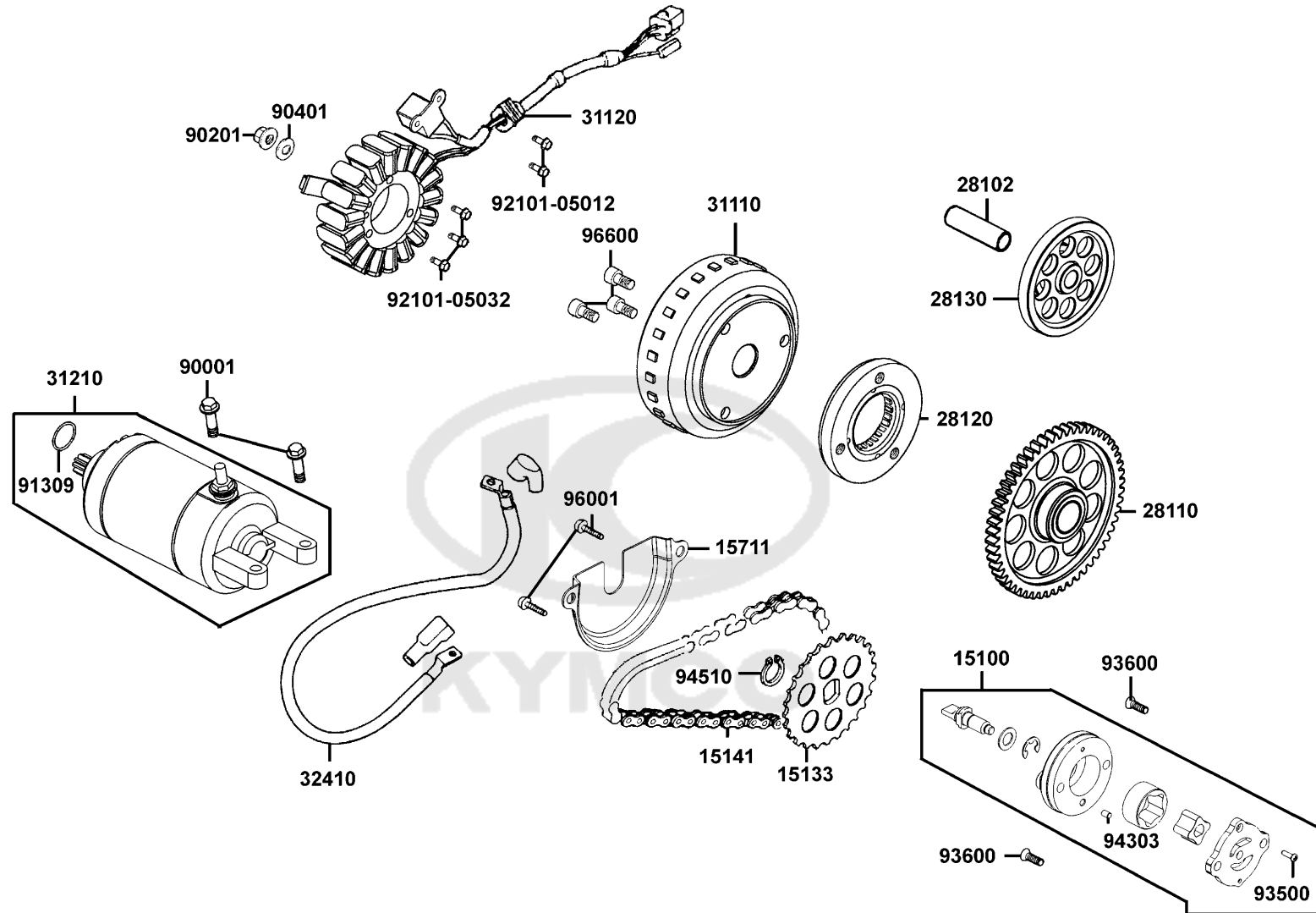
Sales mark	Ref no	Part no	Description	Reg description	Regd no	E06
23233		23233-LEA7-E00	SPG DRIVEN FACE	SPG DRIVEN FACE	1	
23237		23237-KHE7-900	COLLAR SEAL	COLLAR SEAL	1	
23238		23238-KHE7-900	COLLAR SPG	COLLAR SPG	1	
90201-KHE7		90201-KHE7-900	NUT C FLANGE M12	NUT C FLANGE M12	1	
90201-KHR8		90201-KHR8-75A	NUT FLANGE 14MM	NUT FLANGE 14MM	1	
90202		90202-LEA7-E00	NUT,SPECIAL,28mm	NUT,SPECIAL,28mm	1	
90401		90401-LEA7-E00	WASHER THRUST 14*28*2	WASHER THRUST 14*28*2	1	
90403		90403-LEA7-E00	THRUST WASHER 20.2X35X2.35	THRUST WASHER 20.2X35X2.35	1	
90605		90605-1F66-721	CIR CLIP 7MM	CIR CLIP 7MM	3	
91002		91002-GGA7-70A	BRG BALL RADIAL 6902U	BRG BALL RADIAL 6902U	1	
91004		91004-LEA7-E00	BRG.NEEDLE 25X32X14	BRG.NEEDLE 25X32X14	1	
91211		91211-KHE7-900	SEAL DRIVEN FACE 40*47*4	SEAL DRIVEN FACE 40*47*4	2	
91351		91351-KHE7-900	O-RING PINION CAP	O-RING PINION CAP	2	
94520		94520-28000	CIR CLIP IN 28	CIR CLIP IN 28	1	


Starting Motor Generator

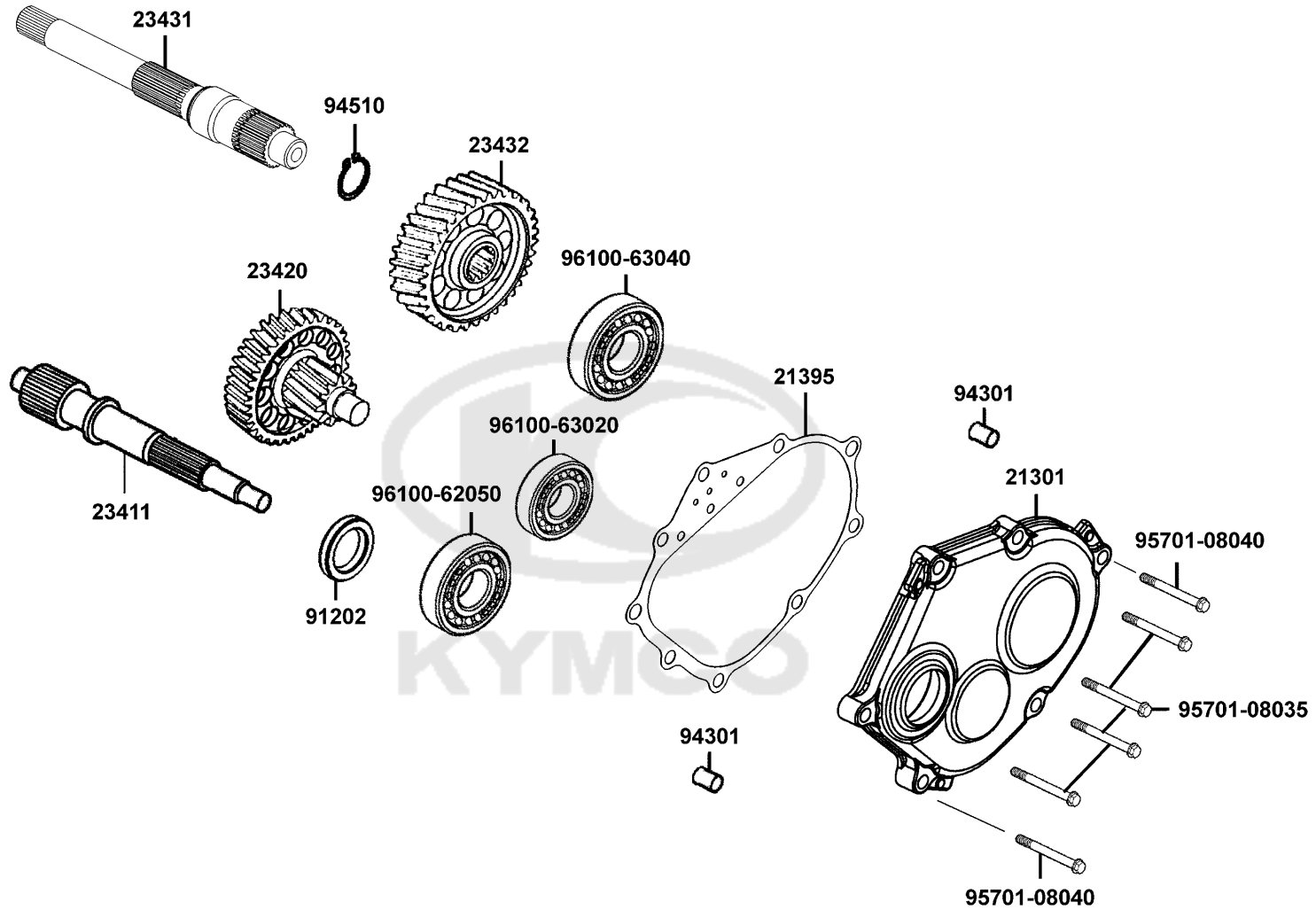


Sales mark	Ref no	Part no	Description	Reg description	Regd no	E07
	15100	15100-LEA7-E00	PUMP ASSY OIL	PUMP ASSY OIL	1	
	15133	15133-LGF9-E00	SPROCKET OIL PUMP	SPROCKET OIL PUMP	1	
	15141	15141-LGF9-E00	CHAIN OIL PUMP	CHAIN OIL PUMP	1	
	15711	15711-LEA7-E00	SEPARATOR OIL	SEPARATOR OIL	1	
	28102	28102-LEA7-E00	SHAFT STARTER REDUCTION	SHAFT STARTER REDUCTION	1	
	28110	28110-LEA7-E00	GEAR COMP STARTING CLUTCH	GEAR COMP STARTING CLUTCH	1	
	28120	28120-LDB2-E00	ONE WAY CLUTCH STARTER ASSY	ONE WAY CLUTCH STARTER ASSY	1	
	28130	28130-LEA7-E00	GEAR STARTER REDUCTION	GEAR STARTER REDUCTION	1	
	31110	31110-LEA7-E0B	FLYWHEEL COMP.	FLYWHEEL COMP.	1	
	31120	31120-LEA7-E0B	STATOR COMP.	STATOR COMP.	1	
	31210	31210-LEA7-E00	MOTOR UNIT STARTER	MOTOR UNIT STARTER	1	
	32410	32410-LEA7-E00	CABLE START MOTOR	CABLE START MOTOR	1	
	90001	90001-GBHB-661	BOLT FLANGE SH 6*22	BOLT FLANGE SH 6*22	2	
	90201	90201-KHR8-75A	NUT FLANGE 14MM	NUT FLANGE 14MM	1	
	90401	90401-KKJ9-001	WASHER THRUST 14*28*2	WASHER THRUST 14*28*2	1	
	91309	91309-4E25-004	O-RING 24.4*3.1	O-RING 24.4*3.1	1	
	92101-05012	92101-05012-0H	BOLT HEX 5*12	BOLT HEX 5*12	2	
	92101-05032	92101-05032-0H	BOLT HEX 5*32	BOLT HEX 5*32	3	
	93500	93500-03010-1A	SCREW PAN 3*10	SCREW PAN 3*10	1	
	93600	93600-06032-0H	SCREW FLAT 6x32	SCREW FLAT 6x32	2	

Starting Motor Generator



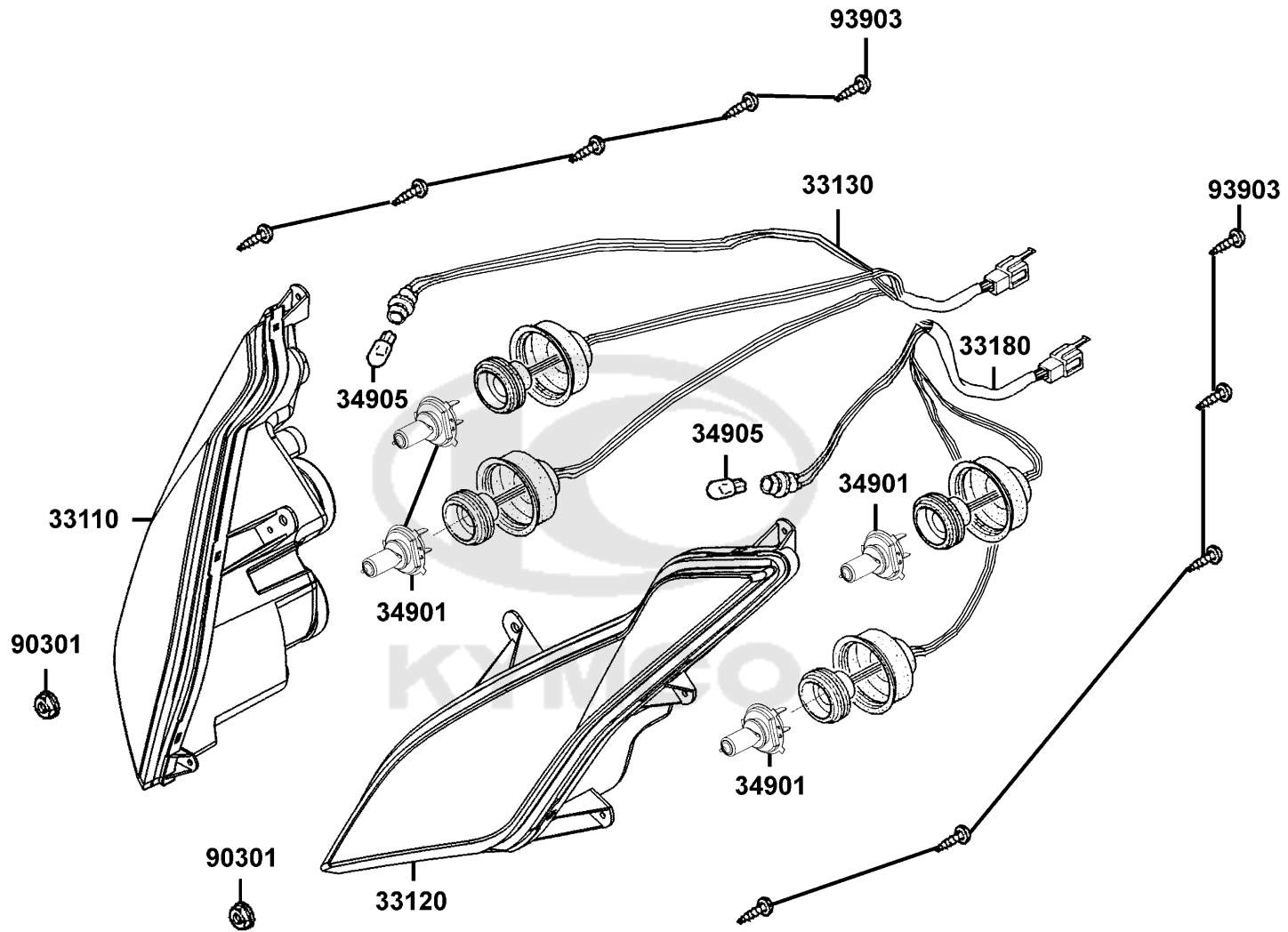
Sales mark	Ref no	Part no	Description	Reg description	Regd no	E07
	94303	94303-04065	PIN DOWEL 4*6.5	PIN DOWEL 4*6.5	1	
	94510	94510-10000	CIR CLIP EX 10MM	CIR CLIP EX 10MM	1	
	96001	96001-06012-08	BOLT FLANGE 6*12	BOLT FLANGE SH 6*12	2	
	96600	96600-08015-10	SOCKET BOLT 8*15	SOCKET BOLT 8*15	3	
						



Sales mark	Ref no	Part no	Description	Reg description	Regd no	E08
21301		21301-LEA7-E00	COVER MISSION	COVER MISSION	1	
21395		21395-LEA7-E00	GASKET MISSION COVER	GASKET MISSION COVER	1	
23411		23411-LEA7-E00	SHAFT DRIVE	SHAFT DRIVE	1	
23420		23420-LEA7-E00	SHAFT COMP COUNTER	SHAFT COMP COUNTER	1	
23431		23431-LEA7-E00	SHAFT FINAL	SHAFT FINAL	1	
23432		23432-LEA7-E00	GEAR FINAL	GEAR FINAL	1	
91202		91202-LEA7-E00	OIL SEAL , 25x35x6	OIL SEAL , 25x35x6	1	
94301		94301-10160	DOWEL PIN 10*16	DOWEL PIN 10*16	2	
94510		94510-25000	CIR CLIP EXTERNAL 25	CIR CLIP EXTERNAL 25	1	
95701-08035		95701-08035-08	BOLT FLANGE 8*35	BOLT FLANGE 8*35	4	
95701-08040		95701-08040-08	BOLT FLANGE 8*40	BOLT FLANGE 8*40	2	
96100-62050		96100-62050-00	BEARING BALL RADIAL 6205	BEARING BALL RADIAL 6205	1	
96100-63020		96100-63020-00	BRG BALL RADIAL 6302	BRG BALL RADIAL 6302	1	
96100-63040		96100-63040-00	BRG BALL RADIAL 6304	BRG BALL RADIAL 6304	1	

F01

Head Light

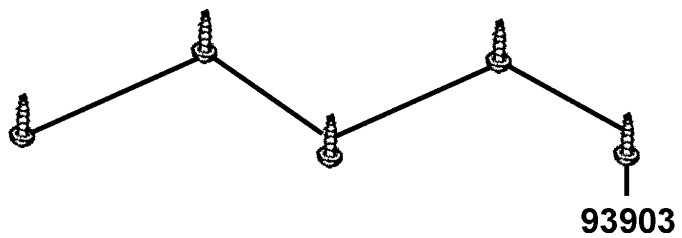
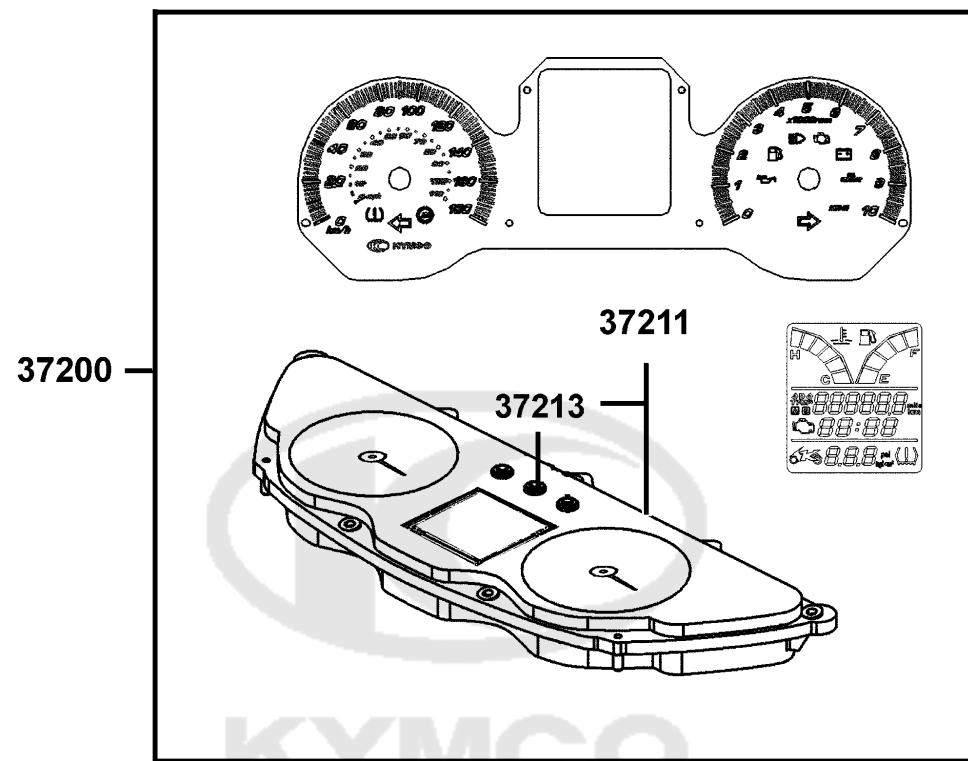


Sales mark	Ref no	Part no	Description	Reg description	Regd no	F01
	33110	33110-LEA7-E00	UNIT HEAD LIGHTR R	UNIT HEAD LIGHTR R	1	
	33120	33120-LEA7-E00	UNIT HEAD LIGHTR R	UNIT HEAD LIGHTR L	1	
	33130	33130-LEA7-E00	SOCKET COMP	SOCKET COMP	1	
	33180	33180-LEA7-E00	SOCKET COMP	SOCKET COMP	1	
	34901	34901-KGB5-M30	BULB HEAD LIGHT	BULB HEAD LIGHT	2	
	34905	34905-LEA7-E00	BULB WINKER	BULB WINKER	2	
	90301	90301-6D34-671	NUT FLANGE 6MM	NUT FLANGE 6MM	2	
	93903	93903-35320	SCREW TAPPING 5*16	SCREW TAPPING 5*16	10	



F02

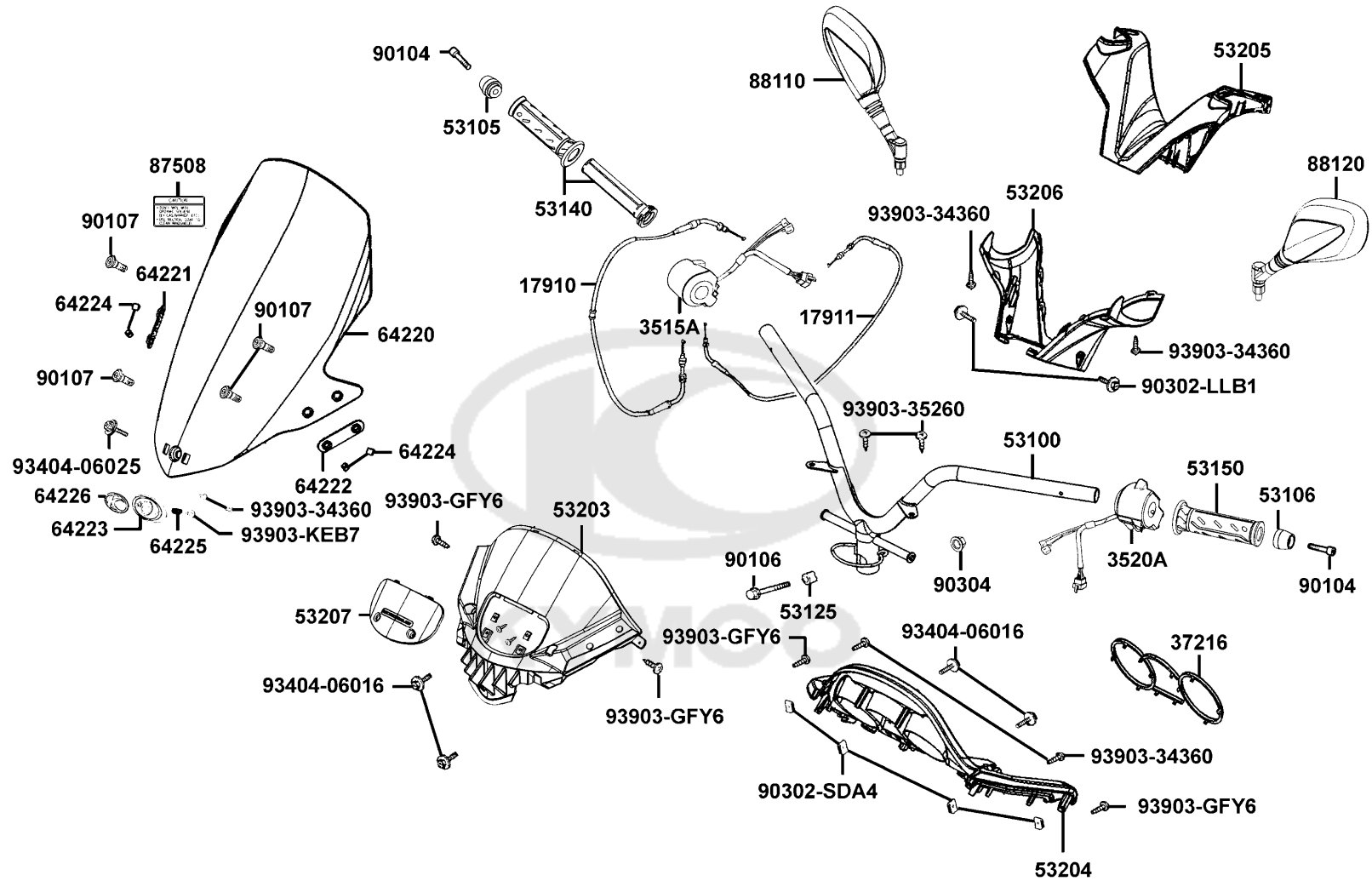
Speed meter



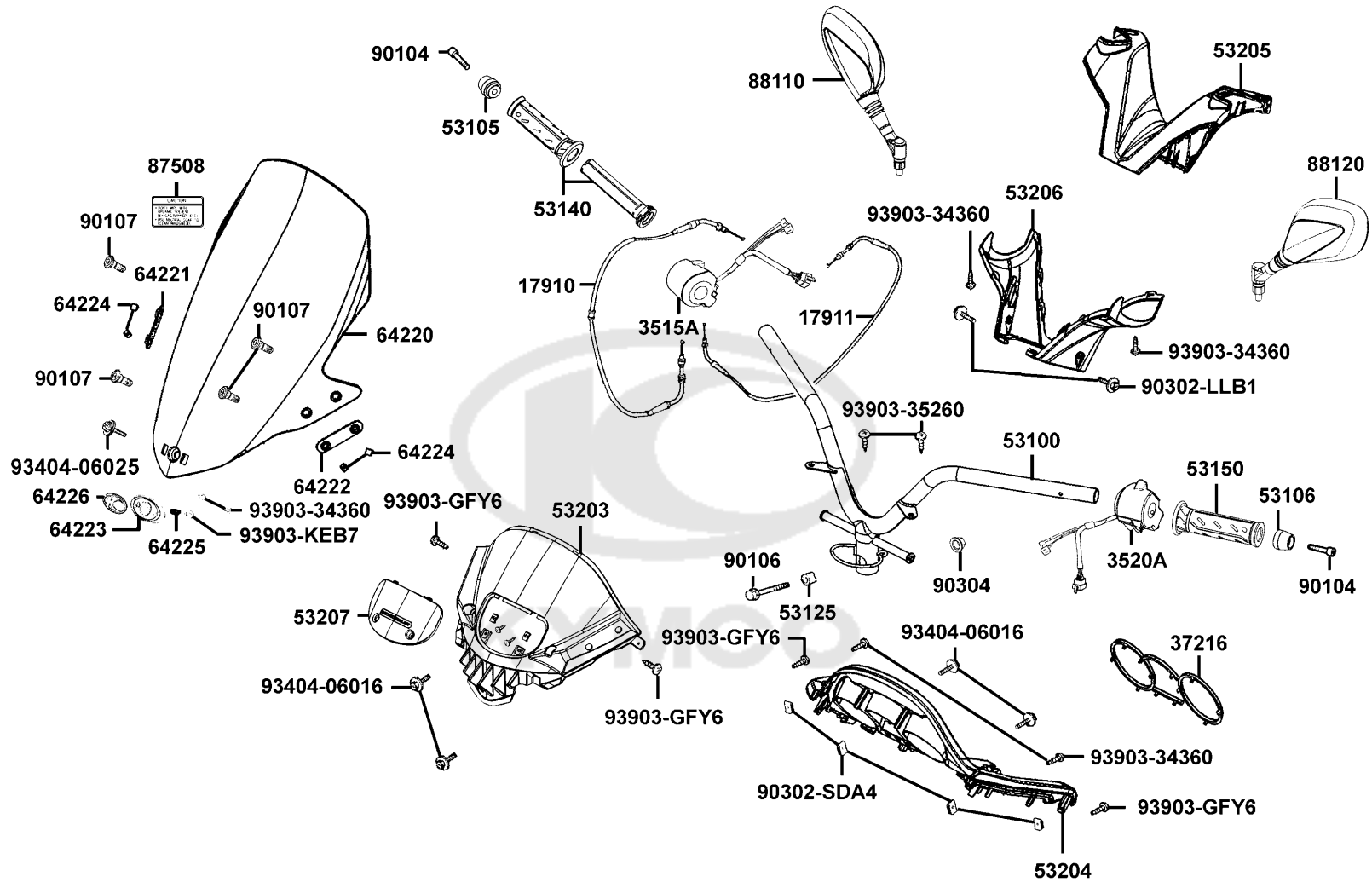
Sales mark	Ref no	Part no	Description	Reg description	Regd no	F02
------------	--------	---------	-------------	-----------------	---------	------------

37200		37200-LEA7-E00	METER ASSY SPEED	METER ASSY SPEED	1	
37211		37211-KKE5-E00	LENS ASSY	LENS ASSY	1	
37213		37213-KKE5-E00	BUTTON	BUTTON	3	
93903		93903-35320	SCREW TAPPING 5*16	SCREW TAPPING 5*16	5	

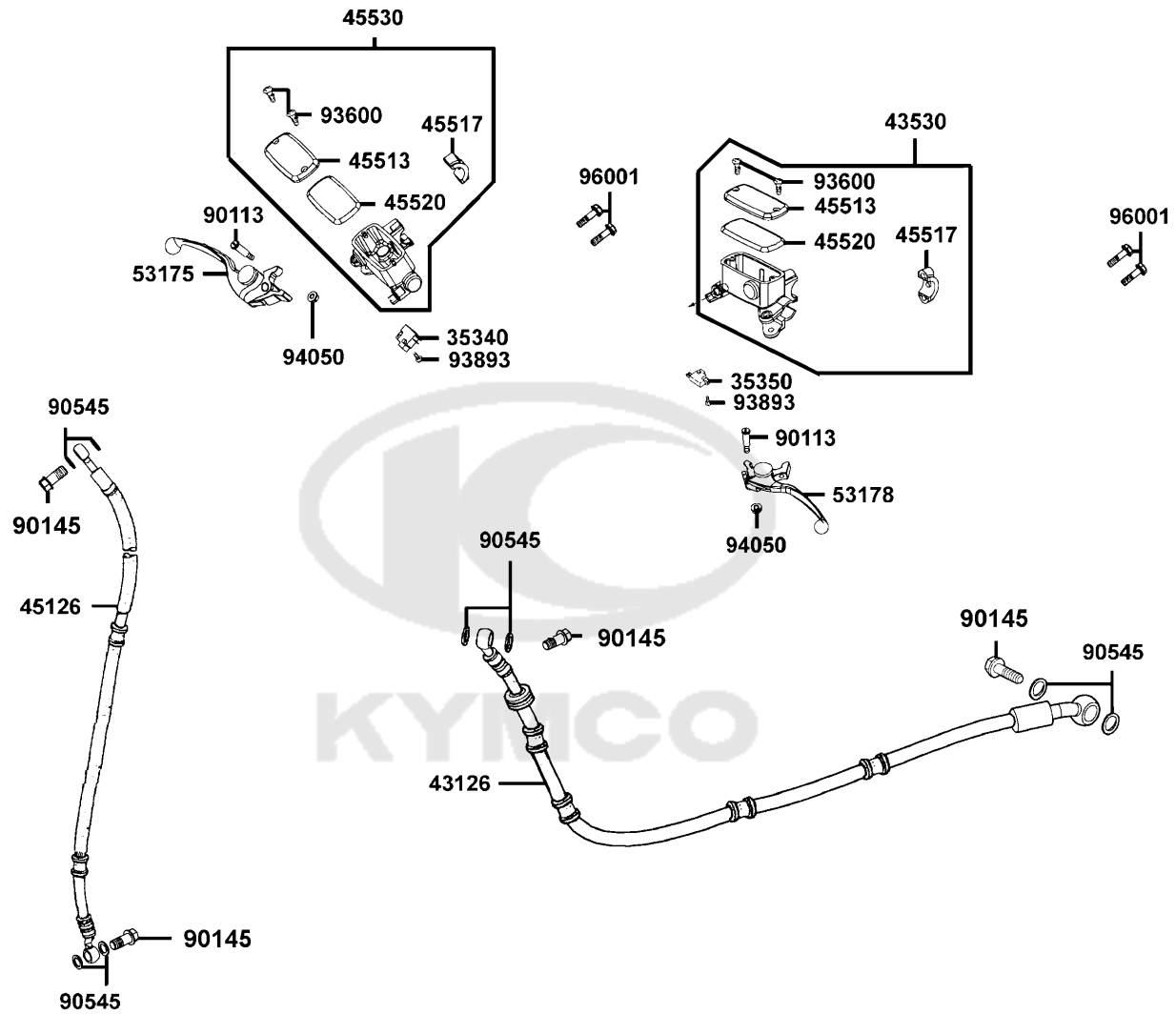




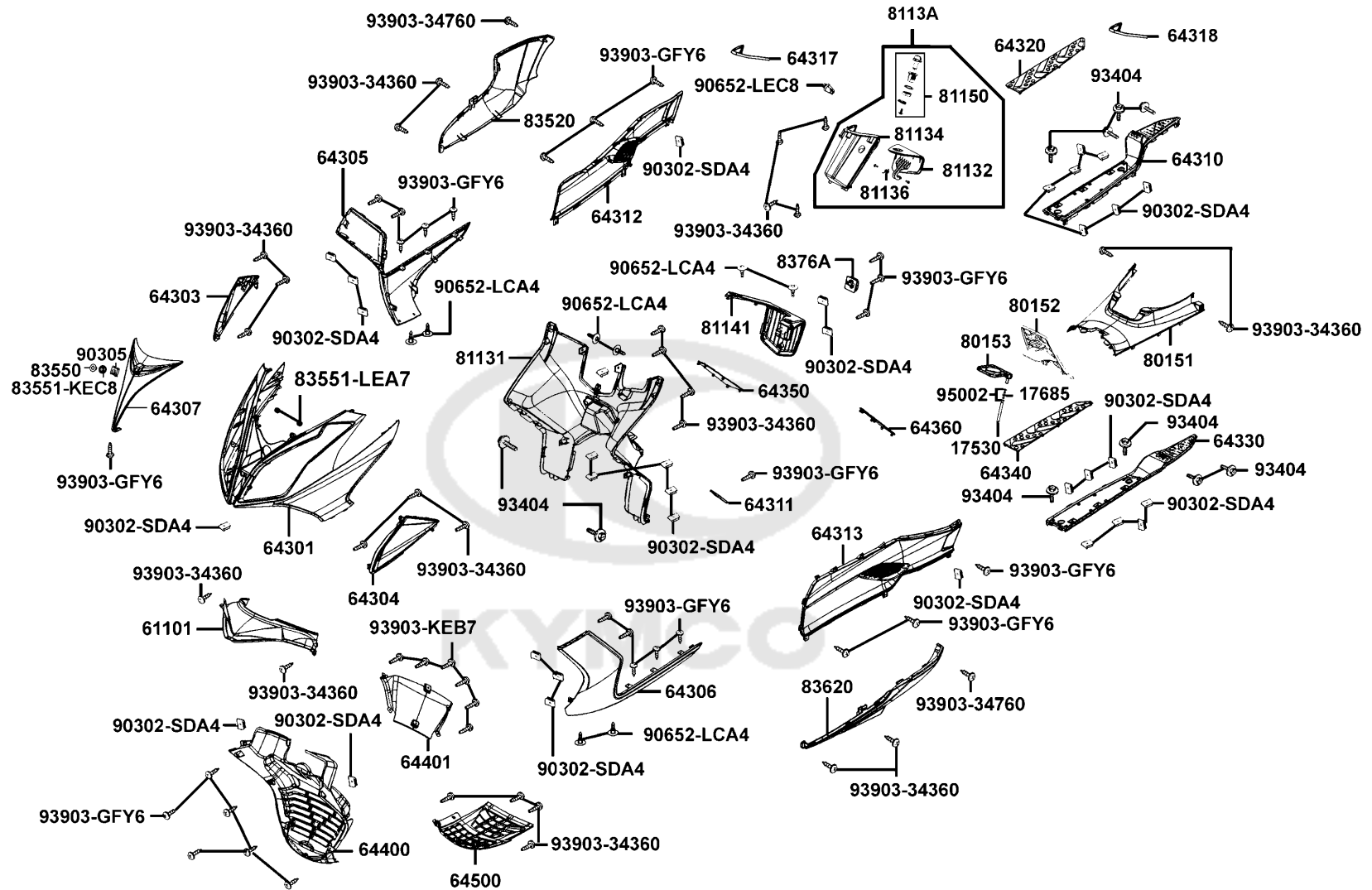
Sales mark	Ref no	Part no	Description	Reg description	Regd no	F03
	17910	17910-LEA7-E00	CABLE A THROT	CABLE A THROT	1	
	17911	17911-LEA7-E00	CABLE B THROT	CABLE B THROT	1	
	3515A	3515A-LBA2-E01	SW ASSY RH HNDL COMP	SW ASSY RH HNDL COMP	1	
	3520A	3520A-KEBE-900	SW ASSY L HNDL COMP	SW ASSY L HNDL COMP	1	
**	37216	37216-LEA7-E00	Cosmetic METER COVER	Cosmetic METER COVER	1	
	53100	53100-LEA7-E00	HANDLE COMP STRG	HANDLE COMP STRG	1	
	53105	53105-LEA7-E00	END R HANDLE	END R HANDLE	1	
	53106	53106-LEA7-E00	END L HANDLE	END L HANDLE	1	
	53125	53125-LEA7-E00	COLLAR HANDLE SET	COLLAR HANDLE SET	1	
**	53140	53140-LEA7-E00	GRIP COMP THROT	GRIP COMP THROT	1	
**	53150	53150-LEA6-900	GRIP COMP L HANDLE	GRIP COMP L HANDLE	1	
**	53203	53203-LEA7-E00	COVER, METER FR	COVER, METER FR	1	
**	53204	53204-LEA7-E00	COVER METER RR	COVER METER RR	1	
**	53205	53205-LEA7-E00	COVER HANDLE UP	COVER HANDLE UP	1	
**	53206	53206-LEA7-E00	COVER HANDLE LOW	COVER HANDLE LOW	1	
	53207	53207-LEA7-E00	LID RADIATOR COOLANT	LID RADIATOR COOLANT	1	
**	64220	64220-LEA7-E00	WIND SCREEN	WIND SCREEN	1	
	64221	64221-LEA7-E00	RUBBER R WIND SCREEN	RUBBER R WIND SCREEN	1	
	64222	64222-LEA7-E00	RUBBER L WIND SCREEN	RUBBER L WIND SCREEN	1	
**	64223	64223-LEA7-E00	PLUG,WIND SCREEN	PLUG,WIND SCREEN	1	



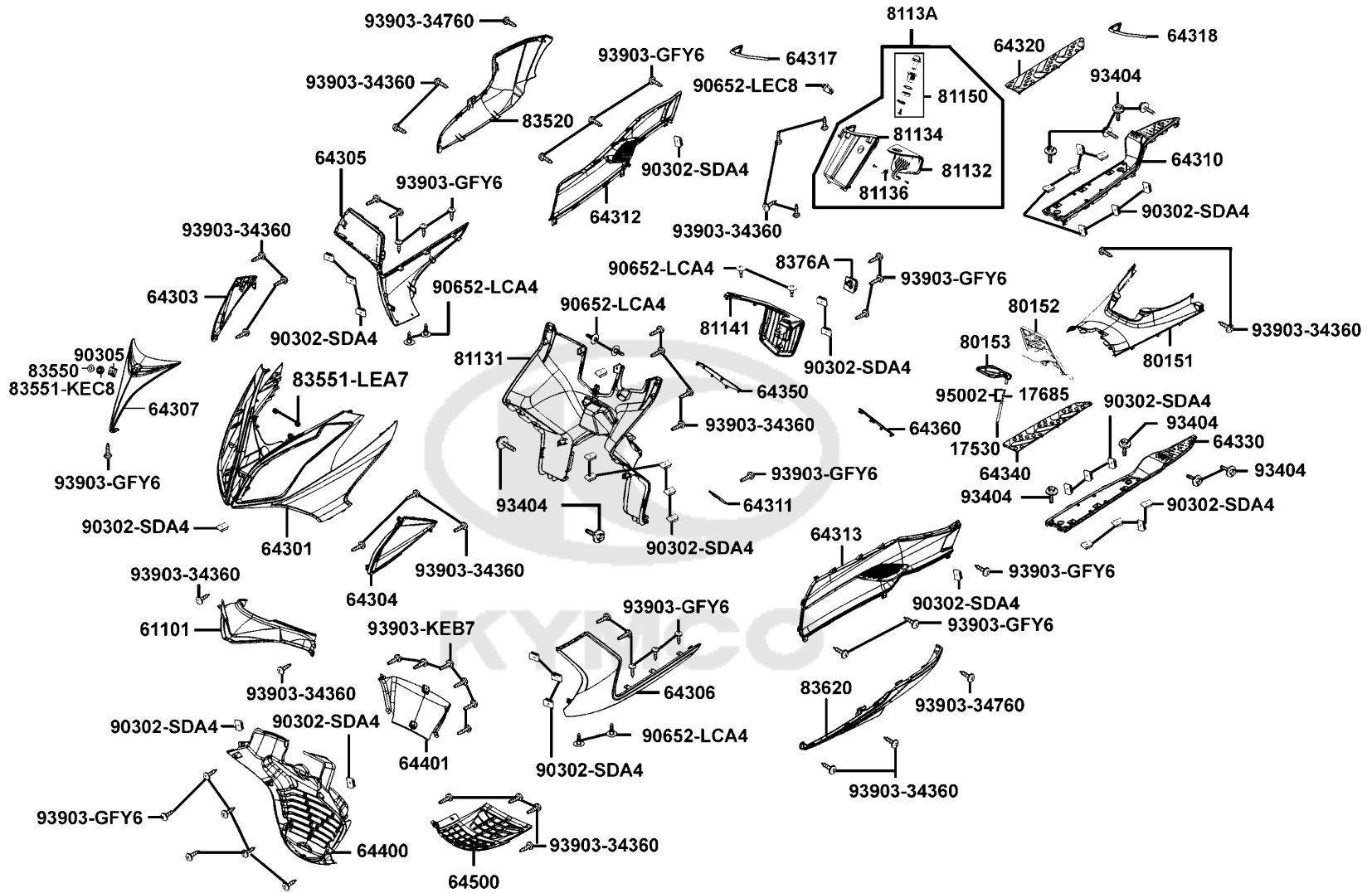
Sales mark	Ref no	Part no	Description	Reg description	Regd no	F03
	64224	64224-LEA7-E00	COLLAR WIND SCREEN	COLLAR WIND SCREEN	4	
	64225	64225-LEA7-E00	SPRING COSMETIC K-LOGO	SPRING COSMETIC K-LOGO	1	
	64226	64226-LEA7-E00	COSMETIC K-LOGO	COSMETIC K-LOGO	1	
**	87508	87508-KKC4-E00	LABEL CLEANNESS CAUYION	LABEL CLEANNESS CAUYION	1	
**	88110	88110-LEA7-E00	MIRROR ASSY R BACK	MIRROR ASSY R BACK	1	
**	88120	88120-LEA7-E00	MIRROR ASSY L BACK	MIRROR ASSY L BACK	1	
	90104	90104-LEA7-E00	BOLT WASH M8*60	BOLT WASH M8*60	2	
	90106	90106-GEN5-901	BOLT FLANGE 10*50	BOLT FLANGE 10*50	1	
	90107	90107-LEA7-E00	BOLT SPECIAL 8MM	BOLT SPECIAL 8MM	4	
	90302-LLB1	90302-LLB1-E00	BOLT-WASHER 5*12	BOLT-WASH 5X12	2	
	90302-SDA4	90302-SDA4-004	NUT SPRING 4MM	NUT SPRING 4MM	4	
	90304	90304-GHE8-004	NUT U 10MM	NUT U 10MM	1	
	93404-06016	93404-06016-06	BOLT WASHER 6*16	BOLT WASHER 6*16	4	
	93404-06025	93404-06025-06	BOLT WASHER 6*25	BOLT WASHER 6*25	1	
	93903-34360	93903-34360	SCREW TAPPING 4*12	SCREW TAPPING 4*12	6	
	93903-35260	93903-35260	SCREW TAPPING 5*12	SCREW TAPPING 5*12	2	
	93903-GFY6	93903-GFY6-900	SCREW TAPPING 4*14	SCREW TAPPING 4*14	4	
	93903-KEB7	93903-KEB7-900-06	SCREW WASHER 4*12 (G)	SCREW WASHER 4*12 (G)	1	



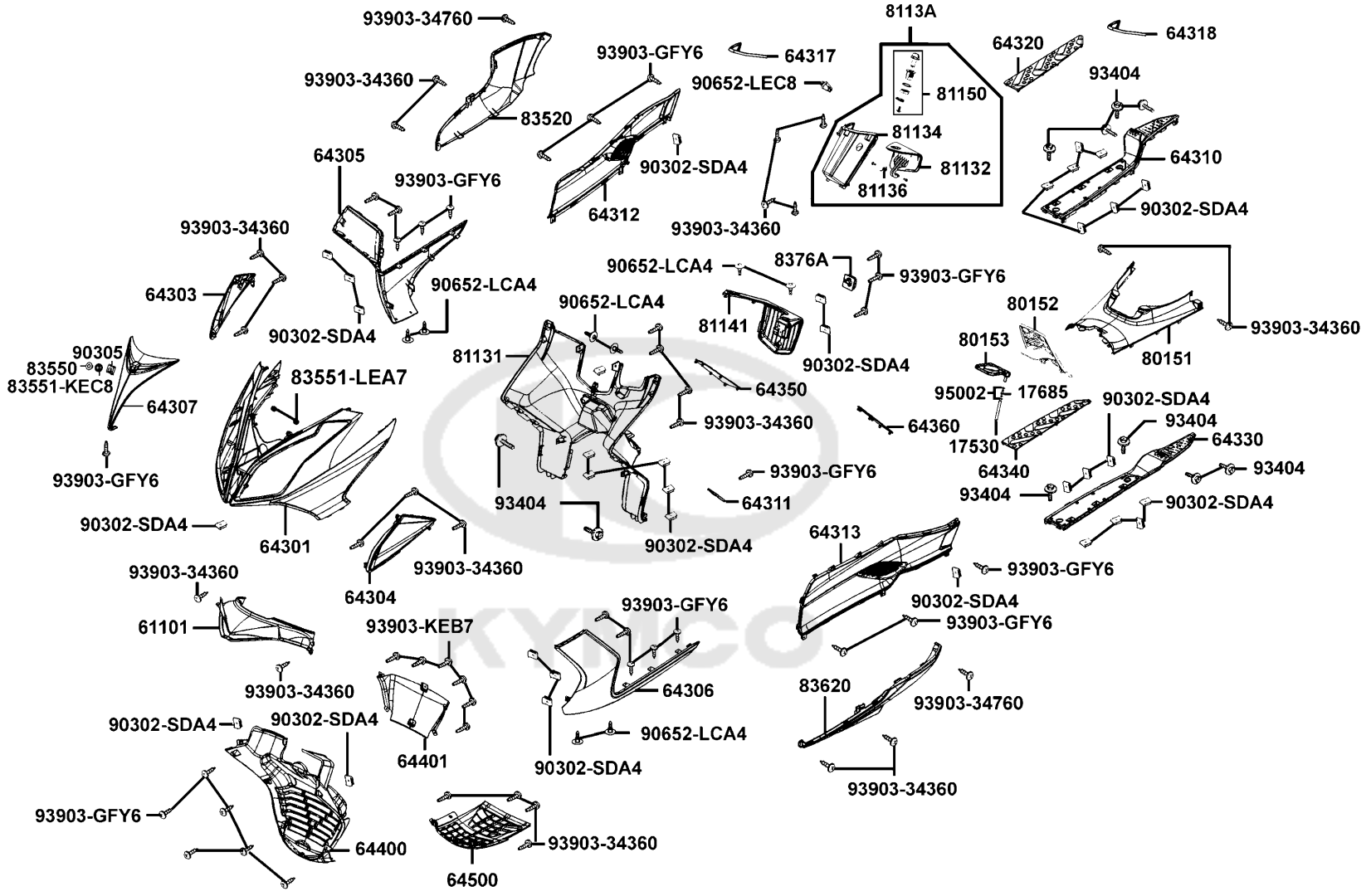
Sales mark	Ref no	Part no	Description	Reg description	Regd no	F04
	35340	35340-KNBN-901	SW ASSY FR STOP	SW ASSY FR STOP	1	
	35350	35350-KNBN-901	SW ASSY RR STOP	SW ASSY RR STOP	1	
	43126	43126-LEA7-E00	HOSE ASSY RR BRK	HOSE ASSY RR BRK	1	
	43530	43530-LEA7-305	CYLINDER SET MASTER	CYLINDER SET MASTER	1	
	45126	45126-LEA7-E00	HOSE ASSY FR BRK	HOSE ASSY FR BRK	1	
	45513	45513-LEA7-E00	CAP M/C	CAP M/C	1	
	45517	45517-LBA2-E00	HOLDER M/C	HOLDER M/C	2	
	45520	45520-KKA8-900	DIAPHRAGM	DIAPHRAGM	2	
	45530	45530-LBA2-308	CYLINDER SET FR MASTER	CYLINDER SET FR MASTER	1	
**	53175	53175-KKE5-E00	LEVER R STRG HANDLE	LEVER R STRG HANDLE	1	
**	53178	53178-KKE5-E00	LEVER L STRG HANDLE	LEVER L STRG HANDLE	1	
	90113	90113-KKA8-900	BOLT L STEERING HANDLE	BOLT L STEERING HANDLE	2	
	90145	90145-MKS9-61A	OIL BOLT 10*22	OIL BOLT 10*22	4	
	90545	90545-3L00-001	WASHER OIL BOLT	WASHER OIL BOLT	8	
	93600	93600-04012-1G	SCREW FLAT 4*12	SCREW FLAT 4*12	4	
	93893	93893-04012-18	SCREW WASHER 4*12	SCREW WASHER 4*12	2	
	94050	94050-06060	NUT FLANGE 6MM	NUT FLANGE 6MM	2	
	96001	96001-06028-06	BOLT FLANGE 6*28	BOLT FLANGE 6*28	4	



Sales mark	Ref no	Part no	Description	Reg description	Regd no	F05
	17530	17530-KGB5-900	TUBE ASSY DRAIN	TUBE ASSY DRAIN	1	
	17685	17685-KZCZ-900	JOINT TUBE	JOINT TUBE	1	
**	61101	61101-LEA7-E00	FENDER FR INNER	FENDER FR INNER	1	
**	64301	64301-LEA7-E00	COVER FR	COVER FR	1	
**	64303	64303-LEA7-E00	BOARD R FR COVER	BOARD R FR COVER	1	
**	64304	64304-LEA7-E00	BOARD L FR COVER	BOARD L FR COVER	1	
**	64305	64305-LEA7-E00	SKIRT R SIDE	SKIRT R SIDE	1	
**	64306	64306-LEA7-E00	SKIRT L SIDE	SKIRT L SIDE	1	
**	64307	64307-LEA7-E00	LID FR COVER	LID FR COVER	1	
**	64310	64310-LEA7-E00	FLOOR PANEL R/L	FLOOR PANEL R/L	1	
**	64311	64311-LEA7-E00	LID RESERVE TANK	LID RESERVE TANK	1	
**	64312	64312-LEA7-E00	BOARD R PANEL FLOOR	BOARD R PANEL FLOOR	1	
**	64313	64313-LEA7-E00	BOARD L PANEL FLOOR	BOARD L PANEL FLOOR	1	
	64317	64317-LEA7-E00	SEAL FR INNER BOX	SEAL FR INNER BOX	1	
	64318	64318-LEA7-E00	SEAL FR INNER BOX	SEAL FR INNER BOX	1	
**	64320	64320-LEA7-E00	MAT R FLOOR	MAT R FLOOR	1	
**	64330	64330-LEA7-E00	FLOOR PANEL R/L	FLOOR PANEL R/L	1	
**	64340	64340-LEA7-E00	MAT L FLOOR	MAT L FLOOR	1	
**	64350	64350-LEA7-E00	MAT R LEG SHIELD	MAT R LEG SHIELD	1	
**	64360	64360-LEA7-E00	MAT L LEG SHIELD	MAT L LEG SHIELD	1	

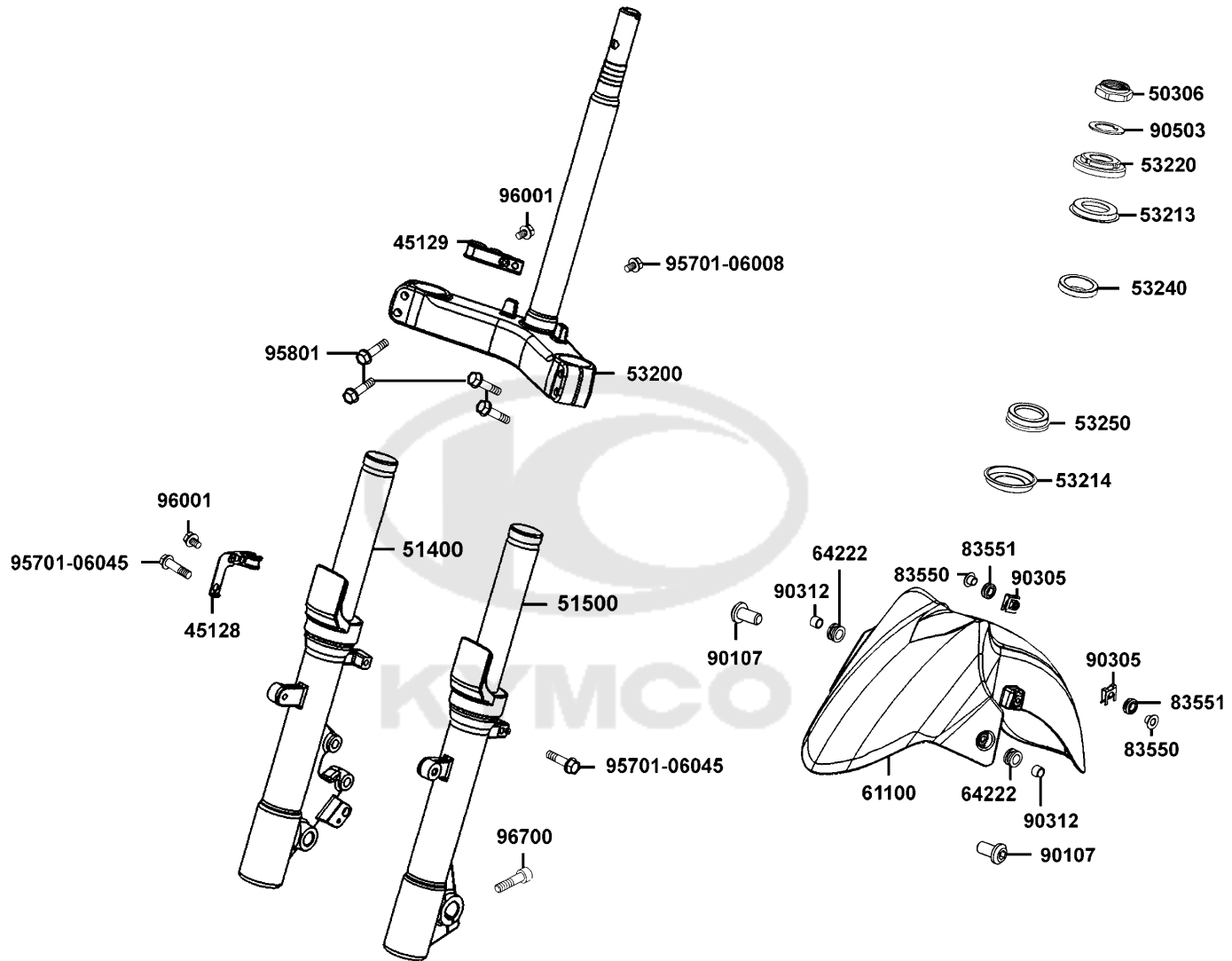


Sales mark	Ref no	Part no	Description	Reg description	Regd no	F05
**	64400	64400-LEA7-E00	COWL UNDER	COWL UNDER	1	
**	64401	64401-LEA7-E00	MESH UNDER COWL	MESH UNDER COWL	1	
**	64500	64500-LEA7-E00	UNDER COWL LOW	UNDER COWL LOW	1	
**	80151	80151-LEA7-E00	COVER CENTER	COVER CENTER	1	
**	80152	80152-LEA7-E00	COVER PLUG MAINT	COVER PLUG MAINT	1	
	80153	80153-LEA7-E00	RUBBER FUEL CAP	RUBBER FUEL CAP	1	
**	81131	81131-LEA7-E00	LEG SHIELD	LEG SHIELD	1	
**	81132	81132-LEA7-E00	LID L/H FR INNER BOX	LID L/H FR INNER BOX	1	
**	81134	81134-LEA7-E00	BOX L/H FR INNER	BOX L/H FR INNER	1	
	81136	81136-LEA7-E00	SPRING FR INNER BOX	SPRING FR INNER BOX	1	
**	8113A	8113A-LEA7-E00	FR INNER BOX ASSY	FR INNER BOX ASSY	1	
**	81141	81141-LEA7-E00	TUNNEL LEG SHIELD	TUNNEL LEG SHIELD	1	
	81150	81150-LEA7-E00	LOCKLESS ASSY	LOCKLESS ASSY	1	
**	83520	83520-LEA7-E00	COVER R SIDE	COVER R SIDE	1	
	83550	83550-KEC8-900	COLLAR	COLLAR	1	
	83551-KEC8	83551-KEC8-900	GROMMET COVER	GROMMET COVER	1	
	83551-LEA7	83551-LEA7-E00	GROMMET FRONT COVER	GROMMET FRONT COVER	2	
**	83620	83620-LEA7-E00	COVER, L SIDE	COVER, L SIDE	1	
	8376A	8376A-KEBE-900	CLIP ASSY CENTER	CLIP ASSY CENTER	1	
	90302-SDA4	90302-SDA4-004	NUT SPRING 4MM	NUT SPRING 4MM	33	

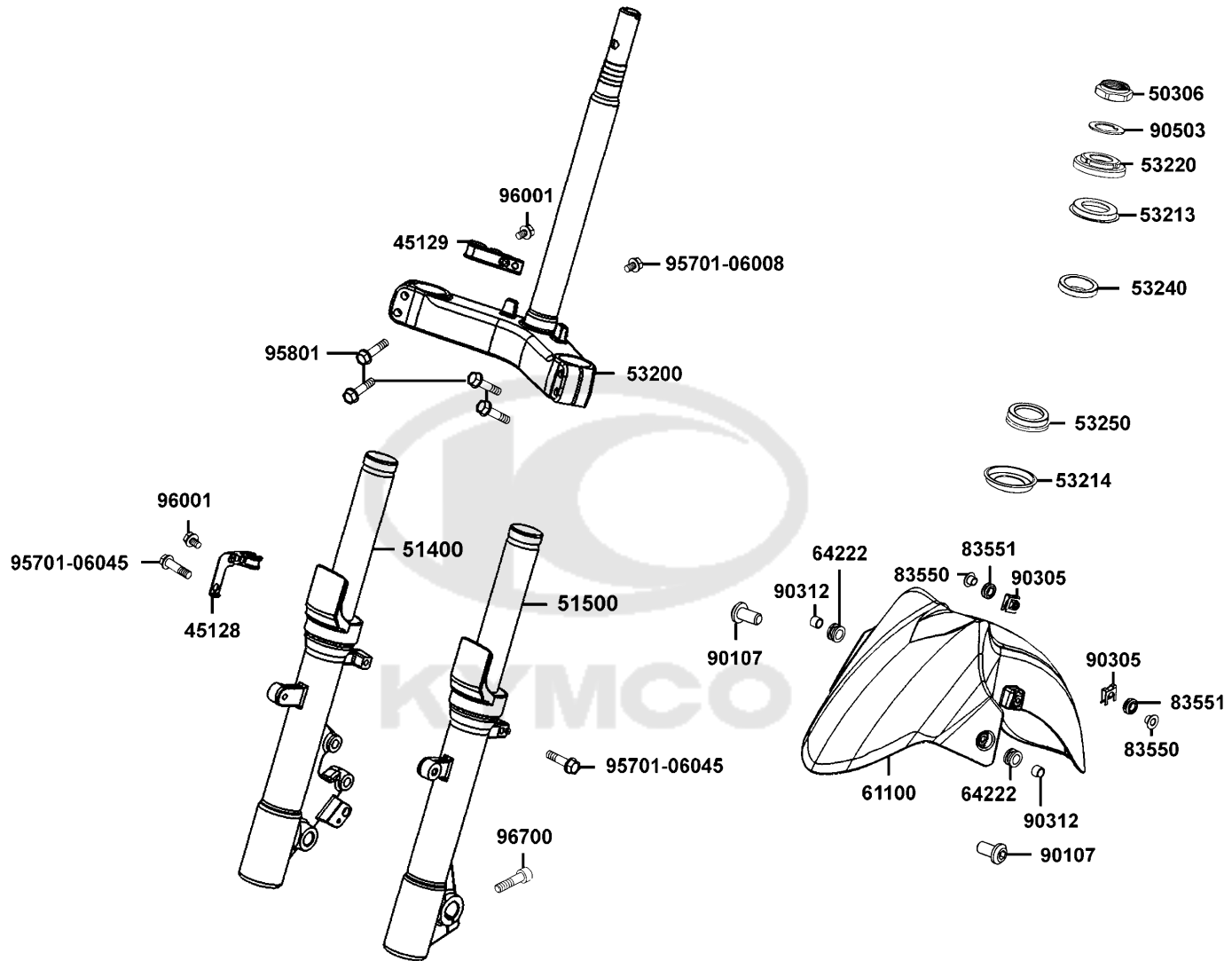


Sales mark	Ref no	Part no	Description	Reg description	Regd no	F05
90305	90305-LBA2-E00	90305-LBA2-E00	NUT CLIP 6MM	NUT CLIP 6MM	1	
90652-LCA4	90652-LCA4-E00	90652-LCA4-E00	CLIP MUDGUARD	CLIP MUDGUARD	8	
90652-LEC8	90652-LEC8-E00	90652-LEC8-E00	CLIP MUDGUARD	CLIP MUDGUARD	1	
93404	93404-06016-06	93404-06016-06	BOLT WASHER 6*16	BOLT WASHER 6*16	10	
93903-34360	93903-34360	93903-34360	SCREW TAPPING 4*12	SCREW TAPPING 4*12	26	
93903-34760	93903-34760	93903-34760	SCREW TAPPING 4*30	SCREW TAPPING 4*30	2	
93903-GFY6	93903-GFY6-900	93903-GFY6-900	SCREW TAPPING 4*14	SCREW TAPPING 4*14	27	
93903-KEB7	93903-KEB7-900-06	93903-KEB7-900-06	SCREW WASHER 4*12 (G)	SCREW WASHER 4*12 (G)	1	
95002	95002-02080	95002-02080	CLIP B8 TUBE	CLIP C8 TUBE	2	





Sales mark	Ref no	Part no	Description	Reg description	Regd no	F06
	45128	45128-LBA2-920	CLAMPER FR BRK HOSE	CLAMPER FR BRK HOSE	1	
	45129	45129-LBA2-900	CLAMPER FR BRK HOSE	CLAMPER FR BRK HOSE	1	
	50306	50306-1F96-001	NUT STRG STEM LOCK	NUT STRG STEM LOCK	1	
**	51400	51400-LEA7-E00	FORK ASSY FR R	FORK ASSY FR R	1	
**	51500	51500-LEA7-E00	FORK ASSY FR L	FORK ASSY FR L	1	
	53200	53200-LEA7-E00	STEM COMP STRG	STEM COMP STRG	1	
	53213	53213-LBA2-E00	DUST SEAL STRG HEAD TOP	DUST SEAL STRG HEAD TOP	1	
	53214	53214-LBA2-E00	DUST SEAL STRG (HEAD)	DUST SEAL STRG (HEAD)	1	
	53220	53220-LBA2-E00	THREAD COMP STRG HEAD TOP	THREAD COMP STRG HEAD TOP	1	
	53240	53240-LBA2-E00	BEARING TOT STRG	BEARING TOT STRG	1	
	53250	53250-LBA2-E00	BEARING BOT STRG	BEARING BOT STRG	1	
**	61100	61100-LEA7-E00	FENDER ASSY FR	FENDER ASSY FR	1	
	64222	64222-LLJ3-E00	RUBBER WIND SCREEN	RUBBER WIND SCREEN	2	
	83550	83550-KEC8-900	COLLAR	COLLAR	2	
	83551	83551-KEC8-900	GROMMET COVER	GROMMET COVER	2	
	90107	90107-LEA7-E00	BOLT SPECIAL 8MM	BOLT SPECIAL 8MM	2	
	90305	90305-LBA2-E00	NUT CLIP 6MM	NUT CLIP 6MM	2	
	90312	90312-LLJ3-E01	COLLAR WIND SCREEN	COLLAR WIND SCREEN	2	
	90503	90503-LEA7-E00	WASHER STRG STEM NUT	WASHER STRG STEM NUT	1	
	95701-06008	95701-06008-06	BOLT FLANGE 6*8	BOLT FLANGE 6*8	1	



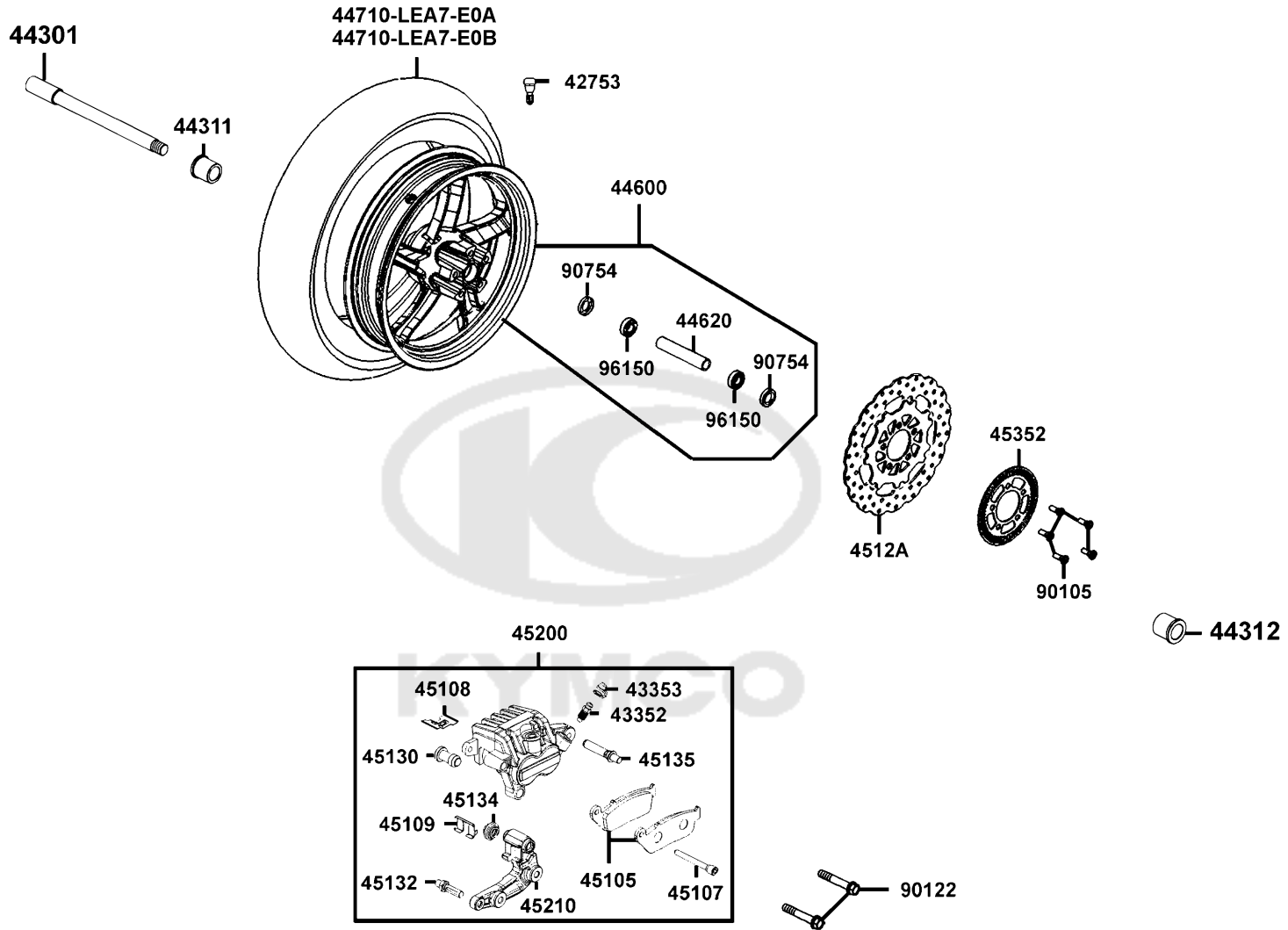
Sales mark	Ref no	Part no	Description	Reg description	Regd no	F06
------------	--------	---------	-------------	-----------------	---------	------------

	95701-06045	95701-06045-06	BOLT FLANGE 6*45	BOLT FLANGE 6*45	2	
	95801	95801-08040-08	BOLT FLANGE 8*40	BOLT FLANGE 8*40	4	
	96001	96001-06012-06	BOLT FLANGE SH 6*12	BOLT FLANGE SH 6*12	2	
	96700	96700-KED9-900	BOLT SOCKET 8*30	BOLT SOCKET 8*30	1	



F07

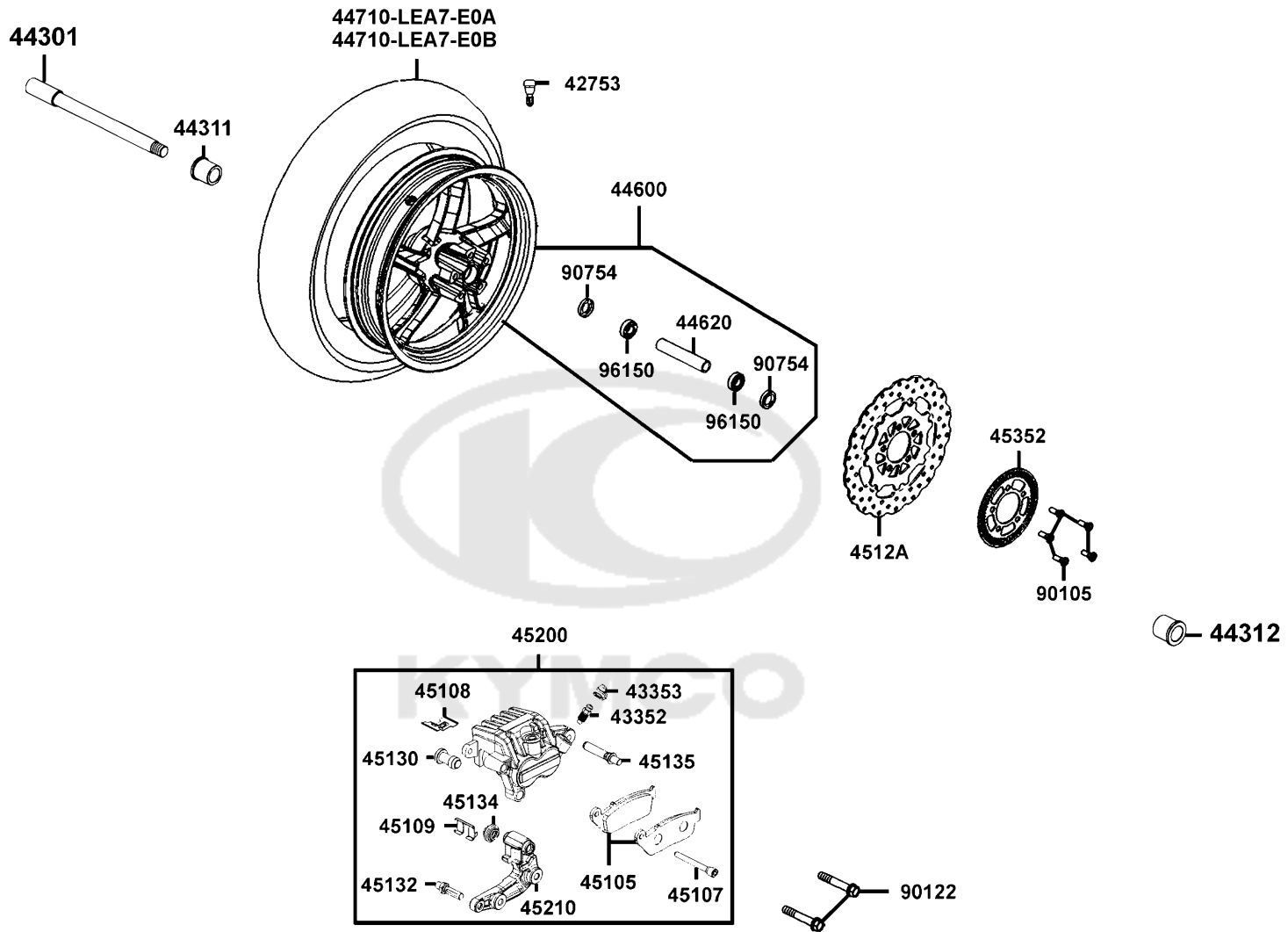
Front Wheel



Sales mark	Ref no	Part no	Description	Reg description	Regd no	F07
	42753	42753-KNBN-90B	VALAE RIM (TR412)	VALAE RIM (TR412)	1	
	43352	43352-KED9-900	BLEEDER	BLEEDER	1	
	43353	43353-KED9-900	CAP BLEEDER	CAP BLEEDER	1	
	44301	44301-LEA7-E00	AXLE FR WHEEL	AXLE FR WHEEL	1	
	44311	44311-LEA7-E00	COLLAR FR WHEEL SIDE	COLLAR FR WHEEL SIDE	1	
	44312	44312-LEA7-E00	COLLAR FR WHEEL SIDE	COLLAR FR WHEEL SIDE	1	
**	44600	44600-LEA7-305	WHEEL ASSY FR	WHEEL ASSY FR	1	
	44620	44620-LEA7-E00	COLLAR FR WHEEL DIST	COLLAR FR WHEEL DIST	1	
	44710-LEA7-E0A	44710-LEA7-E0A	TIRE ASSY. FR /MAXXIS	TIRE ASSY. FR /MAXXIS	1	
	44710-LEA7-E0B	44710-LEA7-E0B	TIRE ASSY. FR /KENDA	TIRE ASSY. FR /KENDA	1	
	45105	45105-LEA7-305	PAD SET	PAD SET	1	
	45107	45107-LEA7-E00	PISTON	PIN HANGER	1	
	45108	45108-LEA7-E00	SPRING PAD	SPRING PAD	1	
	45109	45109-KED9-900	SPRING PAD	SPRING PAD	1	
	4512A	4512A-LEA7-E00	DISK COMP FR BRAKE	DISK COMP FR BRAKE	1	
	45130	45130-KED9-900	BUSH PIN	BUSH PIN	1	
	45132	45132-KED9-900	PIN BOLT	PIN BOLT	1	
	45134	45134-KED9-900	BOOT B	BOOT B	1	
	45135	45135-KED9-900	PIN BOLT A	PIN BOLT A	1	
**	45200	45200-LEA7-E00	CALIPER ASSY FR	CALIPER ASSY FR	1	

F07

Front Wheel

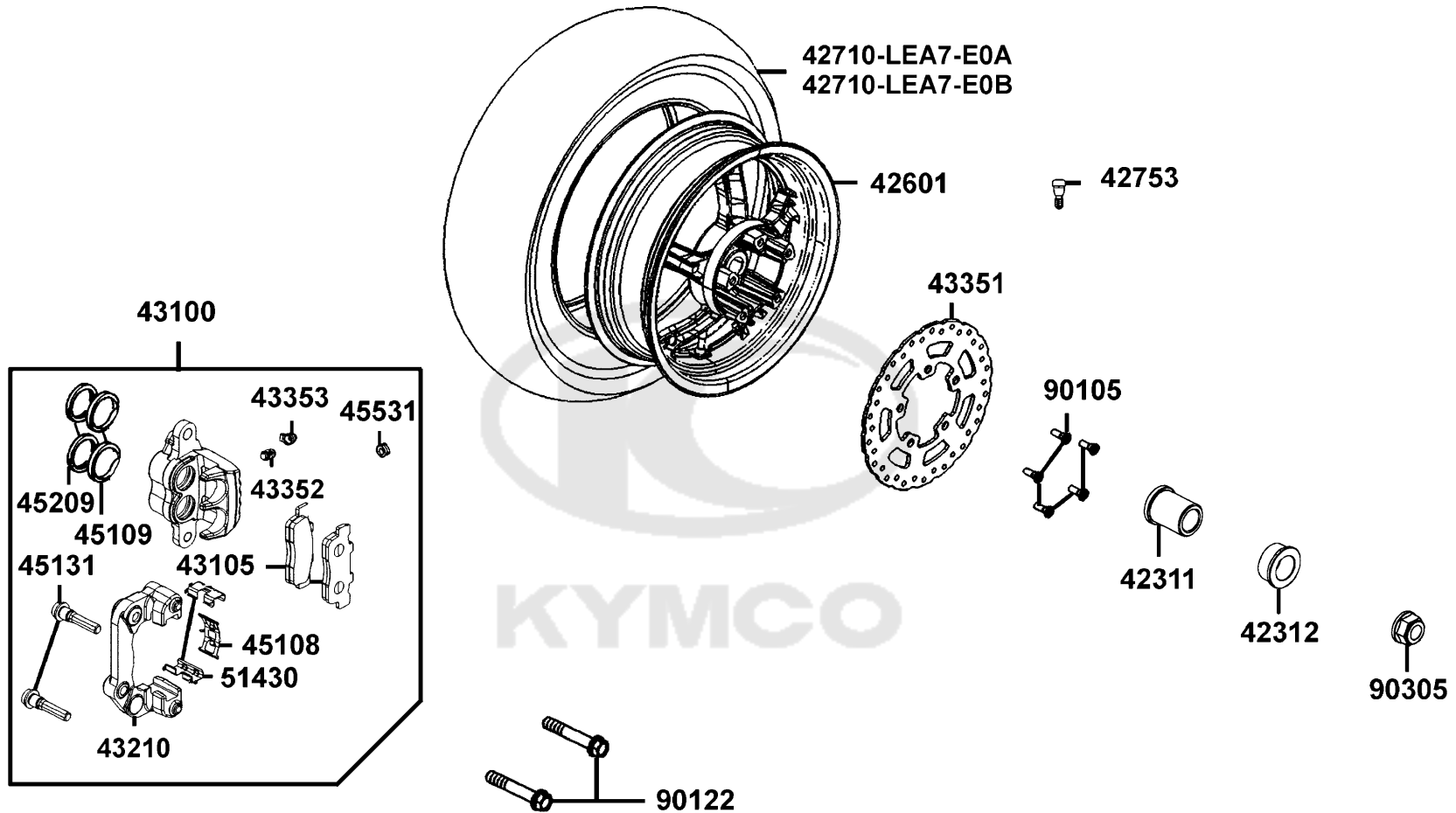


Sales mark	Ref no	Part no	Description	Reg description	Regd no	F07
45210		45210-LEA7-305	BRACKET FR	BRACKET FR	1	
45352		45352-LEA7-E00	TOOTHED RING SENSOR	TOOTHED RING SENSOR	1	
90105		90105-LEA7-E00	BOLT FR DISK 8x30	BOLT FR DISK 8x30	5	
90122		90122-LEA7-E00	BOLT FLANGE 10x42(Cr)	BOLT FLANGE 10x42(Cr)	2	
90754		90754-LLJ3-E00	DUST SEAL	DUST SEAL	2	
96150		96150-60020-10	BEARING BALL RADIAL 6002	BEARING BALL RADIAL 6002	2	



F08

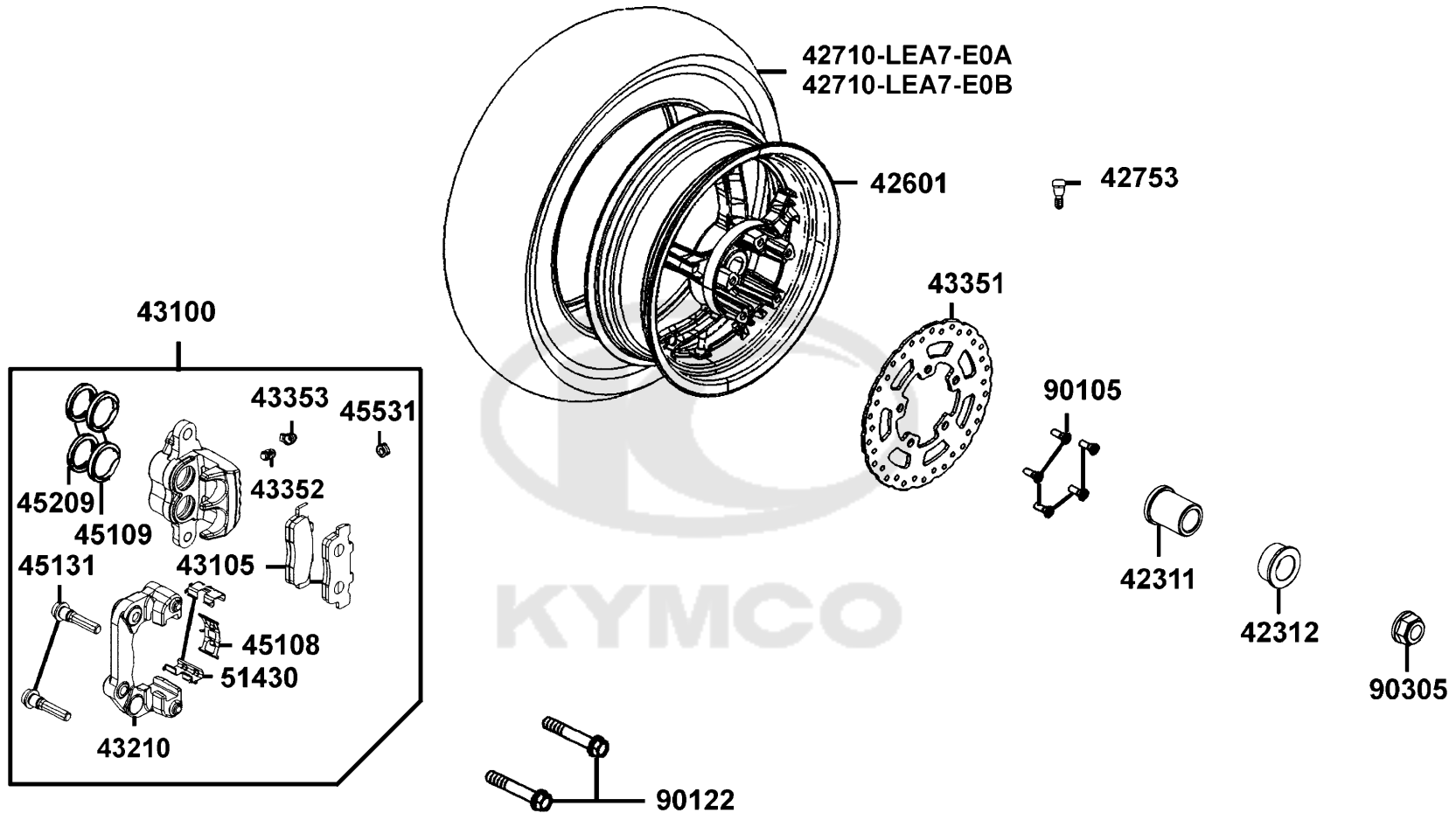
Rear Wheel



Sales mark	Ref no	Part no	Description	Reg description	Regd no	F08
	42311	42311-LEA7-900	COLLAR RR AXLE SIDE A 30*41(B)	COLLAR RR AXLE SIDE A 30*41(B)	1	
	42312	42312-LEA7-E00	COLLAR RR AXLE SIDE	COLLAR RR AXLE SIDE	1	
**	42601	42601-LEA7-E00	WHEEL COMP RR	WHEEL COMP RR	1	
	42710-LEA7-E0A	42710-LEA7-E0A	TIRE ASSY. RR /MAXXIS	TIRE ASSY. RR /MAXXIS	1	
	42710-LEA7-E0B	42710-LEA7-E0B	TIRE ASSY. RR /KENDA	TIRE ASSY. RR /KENDA	1	
	42753	42753-KNBN-90B	VALAE RIM (TR412)	VALAE RIM (TR412)	1	
**	43100	43100-LEA7-E00	CALIPER ASSY RR	CALIPER ASSY RR	1	
	43105	43105-LEA7-305	PAD ASSY A	PAD ASSY A	1	
	43210	43210-LEA7-E00	BRACKET	BRACKET	1	
	43351	43351-LEA7-E00	DISK RR BRAKE	DISK RR BRAKE	1	
	43352	43352-KKD6-E90	SCREW BLEEDER	SCREW BLEEDER	1	
	43353	43353-4A61-77A	CAP BLEEDER	CAP BLEEDER	1	
	45108	45108-LDH1-E00	SPRING PAD	SPRING PAD	1	
	45109	45109-GBE2-007	DUST SEAL	DUST SEAL	1	
	45131	45131-LDH1-E00	PIN BOLT	PIN BOLT	2	
	45209	45209-GBE2-007	SEAL PISTON	SEAL PISTON	1	
	45531	45531-GAR1-951	PLUG	PLUG	1	
	51430	51430-LEA7-E00	SLIDE PAD	SLIDE PAD	2	
	90105	90105-LEA7-E00	BOLT FR DISK 8x30	BOLT FR DISK 8x30	5	
	90122	90122-LEA7-E00	BOLT FLANGE 10x42(Cr)	BOLT FLANGE 10x42(Cr)	2	

F08

Rear Wheel



Sales mark	Ref no	Part no	Description	Reg description	Regd no	F08
------------	--------	---------	-------------	-----------------	---------	------------

90305

90305-KKAK-900

NUT U 16MM

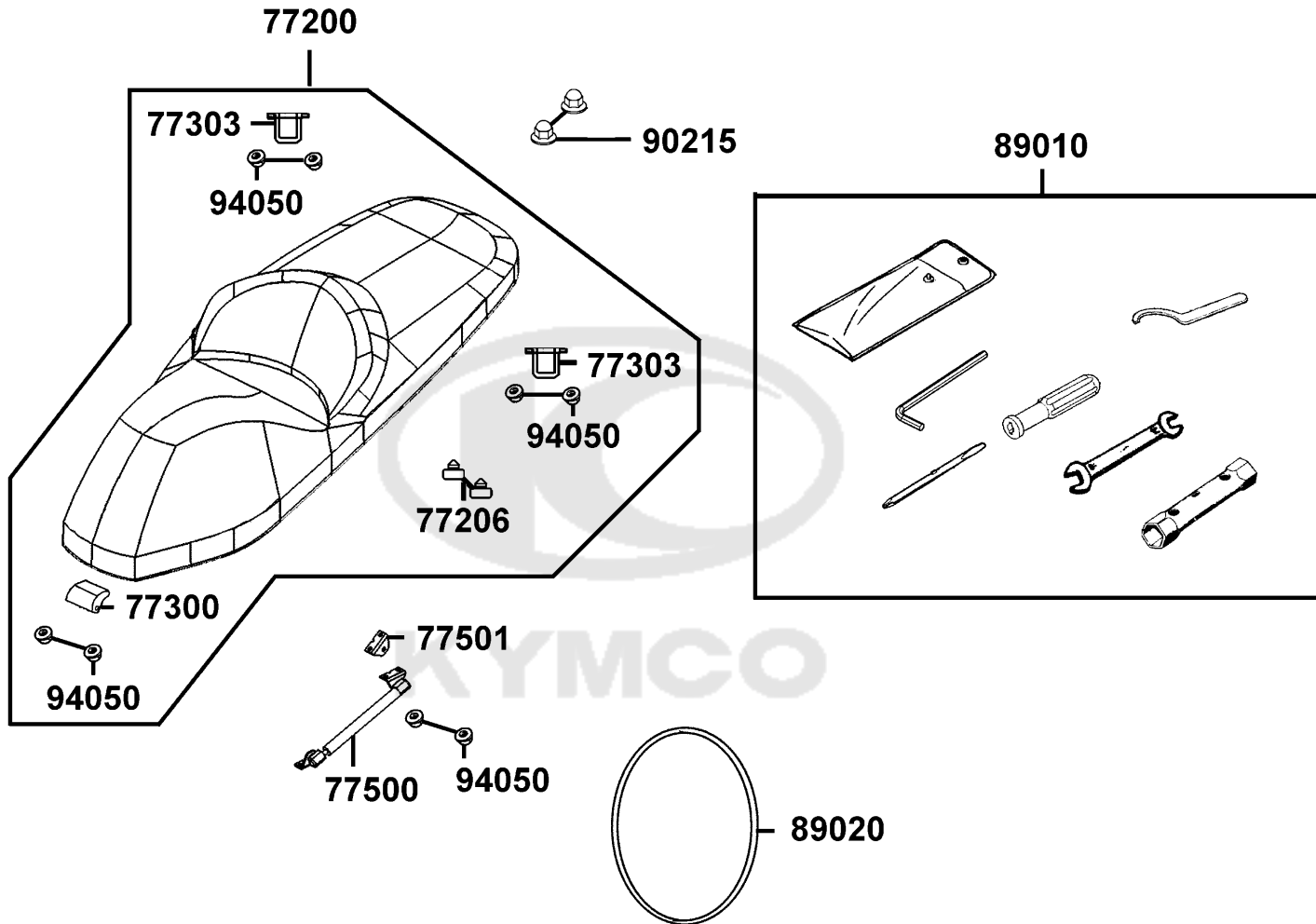
NUT U 16MM

1



F09

Seat

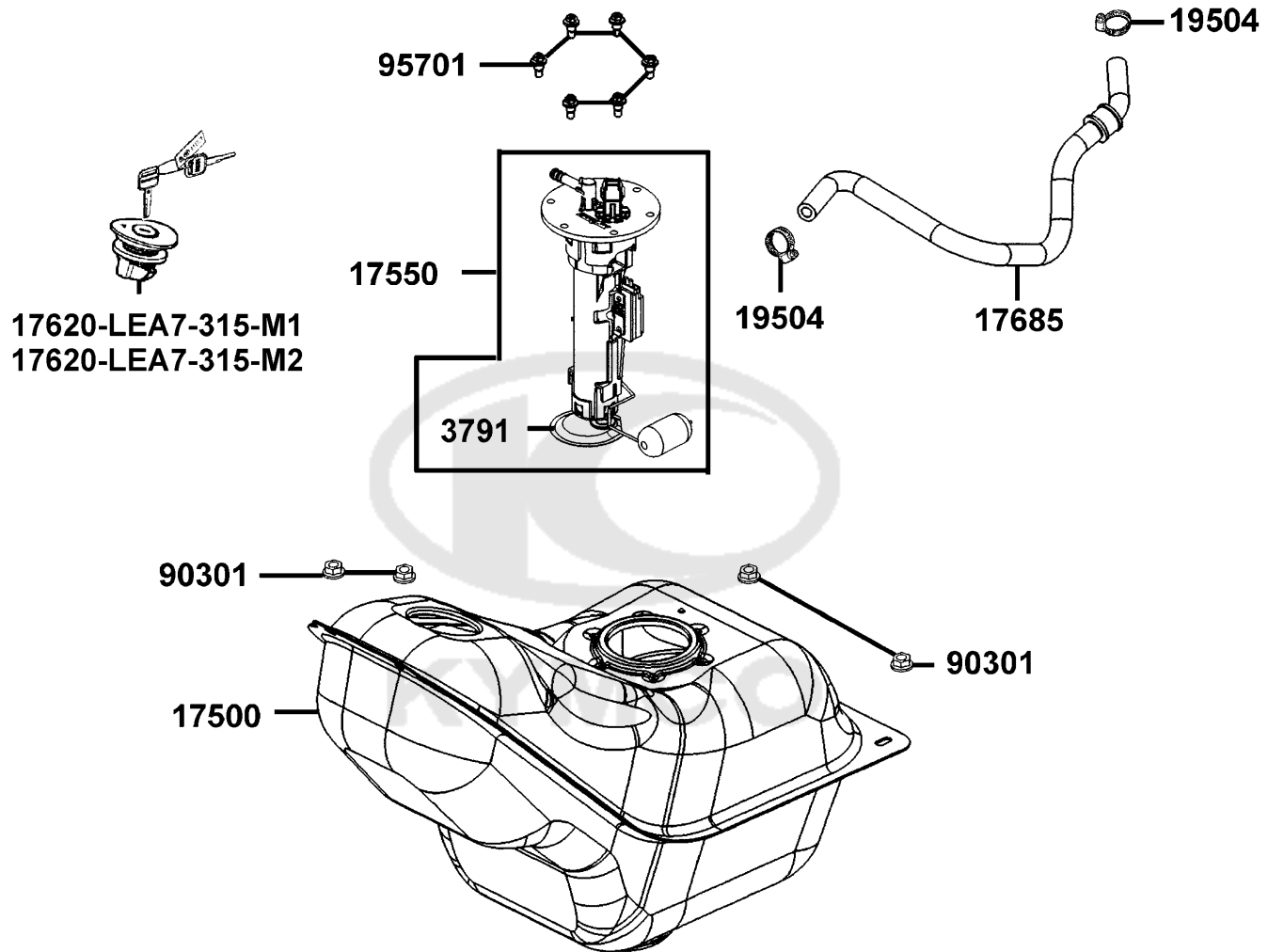


Sales mark	Ref no	Part no	Description	Reg description	Regd no	F09
**	77200	77200-LEA7-305	SEAT ASSY	SEAT ASSY	1	
	77206	77206-KEB7-900	RUBBER SEAT CUSH	RUBBER SEAT CUSH	2	
	77300	77300-LEA7-E00	HINGE COMP SEAT	HINGE COMP SEAT	1	
	77303	77303-LEA7-E00	HOOK SEAT LOCK	HOOK SEAT LOCK	2	
	77500	77500-LEA7-E00	DAMPER CAS	DAMPER CAS	1	
	77501	77501-LEA7-E00	STAY ASSY GAS	STAY ASSY GAS	1	
	89010	89010-LEA7-E00	TOOL SET	TOOL SET	1	
	89020	89020-KKC4-900	BAND TOOL SET	BAND TOOL SET	1	
	90215	90215-KKC4-900	NUT CAP 6MM	NUT CAP 6MM	2	
	94050	94050-06080	NUT FLANGE 6MM	NUT FLANGE 6MM	8	

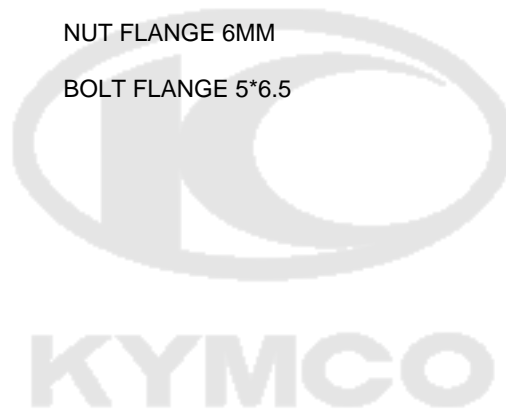


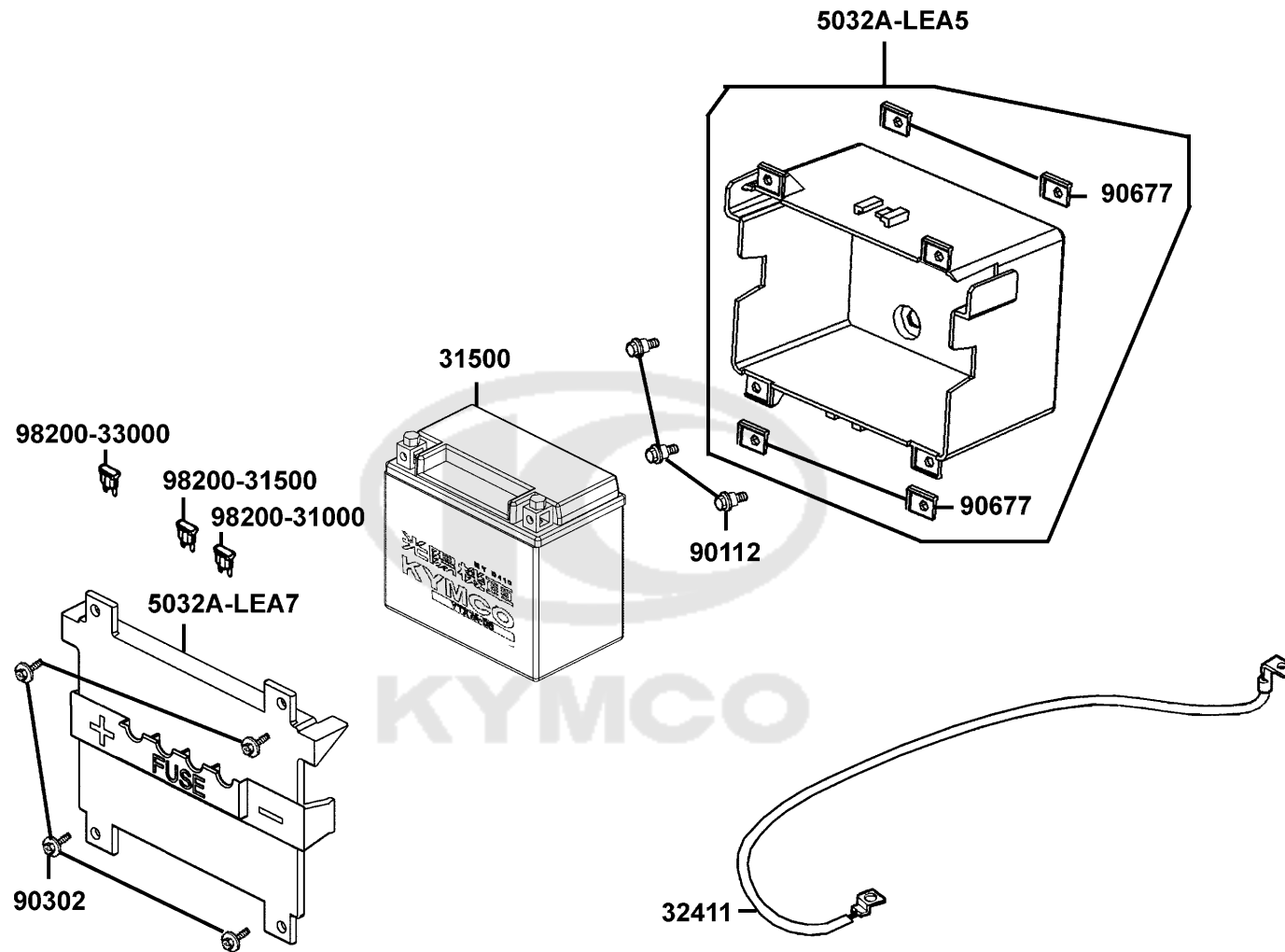
F10

Fuel Tank

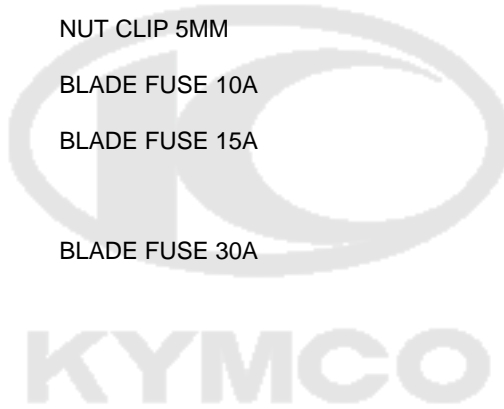


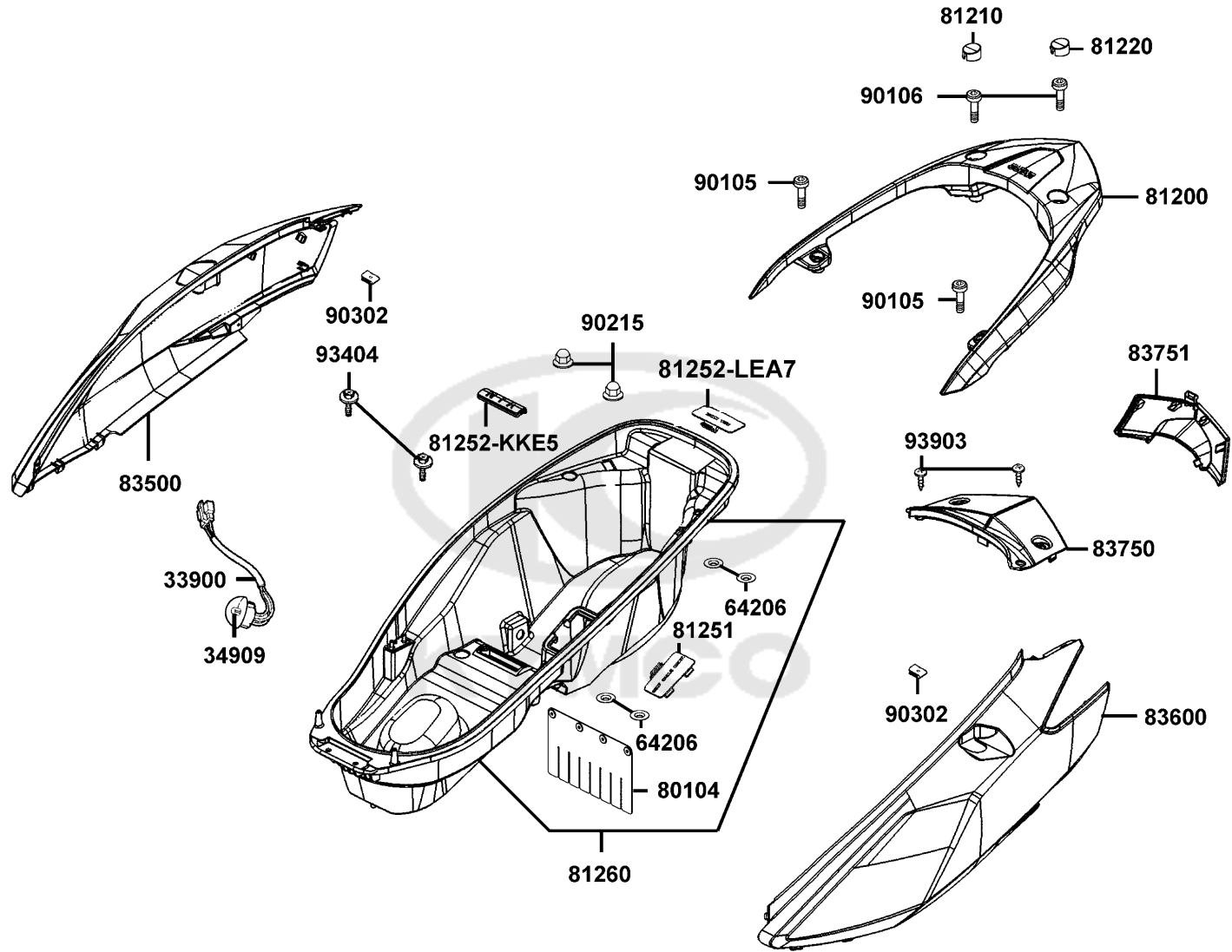
Sales mark	Ref no	Part no	Description	Reg description	Regd no	F10
17500		17500-LEA7-E00	TANK COMP FUEL	TANK COMP FUEL	1	
17550		17550-LEA7-800	FUEL PUMP MODULE ASSY	FUEL PUMP MODULE ASSY	1	
17620-LEA7-315-M1		17620-LEA7-315-M1	CAP COMP FUEL FILLER	CAP COMP FUEL FILLER	1	
17620-LEA7-315-M2		17620-LEA7-315-M2	CAP COMP FUEL FILLER	CAP COMP FUEL FILLER	1	
17685		17685-LEA7-E00	TUBE FUEL PUMP	TUBE FUEL PUMP	1	
19504		19504-LBA2-E00	CLAMP D 16.8	CLAMP D 16.8	2	
3791		3791-HN80-0000	FILTER COMP	FILTER COMP	1	
90301		90301-6D34-671	NUT FLANGE 6MM	NUT FLANGE 6MM	4	
95701		95701-LDF2-800	BOLT FLANGE 5*6.5	BOLT FLANGE 5*6.5	6	



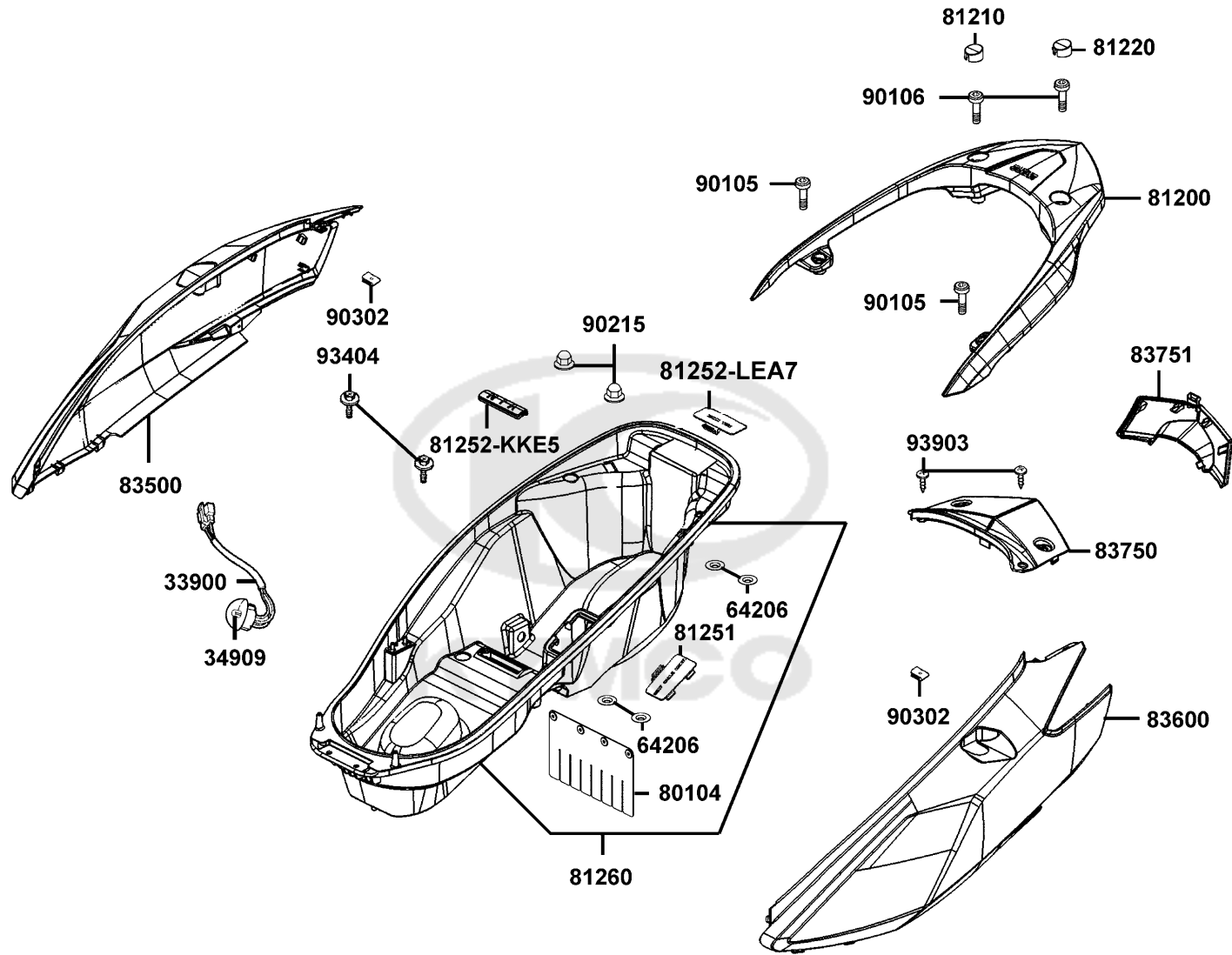


Sales mark	Ref no	Part no	Description	Reg description	Regd no	F11
31500		31500-LEA6-900	BATTERY YT12A-BS	BATTERY YT12A-BS	1	
31500		31500-LEA6-90B	BATTERY 12A-BS	BATTERY GT12A-BS	1	
32411		32411-LEA7-E00	CABLE BATTERY	CABLE BATTERY	1	
5032A-LEA5		5032A-LEA5-E00	CASE ASSY BATTERY	CASE ASSY BATTERY	1	
5032A-LEA7		5032A-LEA7-E00	COVER ASSY BATTERY	COVER ASSY BATTERY	1	
90112		90112-KNBN-901	BOLT FLANGE 6MM	BOLT FLANGE 6MM	3	
90302		90302-GFY6-940	BOLT-WASH 5*16	BOLT-WASH 5*16	4	
90677		90677-GAR1-004	NUT CLIP 5MM	NUT CLIP 5MM	1	
98200-31000		98200-31000	BLADE FUSE 10A	BLADE FUSE 10A	1	
98200-31500		98200-31500	BLADE FUSE 15A	BLADE FUSE 15A	1	
98200-33000		98200-33000	BLADE FUSE 30A	BLADE FUSE 30A	1	





Sales mark	Ref no	Part no	Description	Reg description	Regd no	F12
	33900	33900-KKE5-E00	LIGHT ASSY LUGGAGE BOX	LIGHT ASSY LUGGAGE BOX	1	
	34909	34909-KKE5-E00	BULB WEDGE BASE	BULB WEDGE BASE	1	
	64206	64206-MLJ0-001	NUT SPEED 4MM	NUT SPEED 4MM	4	
	80104	80104-LBA2-E00	PLATE C SPLASH GUARD	PLATE C SPLASH GUARD	1	
**	81200	81200-LEA7-E00	COMP RR CARRIER	COMP RR CARRIER	1	
**	81210	81210-LEA7-E00	PLUG RR CARRIER	PLUG RR CARRIER	2	
**	81220	81220-LEA7-E00	PLUG L/H RR CARRIER	PLUG L/H RR CARRIER	1	
	81251	81251-LEA7-E00	COVER SEAT CABLE MAINT.	COVER SEAT CABLE MAINT.	1	
	81252-KKE5	81252-KKE5-E00	PLUG LUGGAGE BOX	PLUG LUGGAGE BOX	1	
	81252-LEA7	81252-LEA7-E00	COVER P.D.A. MAINT	COVER P.D.A. MAINT	1	
	81260	81260-LEA7-E00	BOX ASSY LUGGAGE	BOX ASSY LUGGAGE	1	
**	83500	83500-LEA7-E00	COVER R BODY	COVER R BODY	1	
**	83600	83600-LEA7-E00	COVER L BODY	COVER L BODY	1	
**	83750	83750-LEA7-E00	COVER RR CENTER	COVER RR CENTER	1	
**	83751	83751-LEA7-E00	MOLD RR CENTER	MOLD RR CENTER	1	
	90105	90105-KFC2-900	BOLT WASH 8*32	BOLT WASH 8*32	2	
	90106	90106-KFA6-900	BOLT WASH 8MM	BOLT WASH 8*75	2	
	90215	90215-KKC4-900	NUT CAP 6MM	NUT CAP 6MM	2	
	90302	90302-SDA4-004	NUT SPRING 4MM	NUT SPRING 4MM	2	
	93404	93404-06016-06	BOLT WASHER 6*16	BOLT WASHER 6*16	2	



Sales mark	Ref no	Part no	Description	Reg description	Regd no	F12
------------	--------	---------	-------------	-----------------	---------	------------

93903

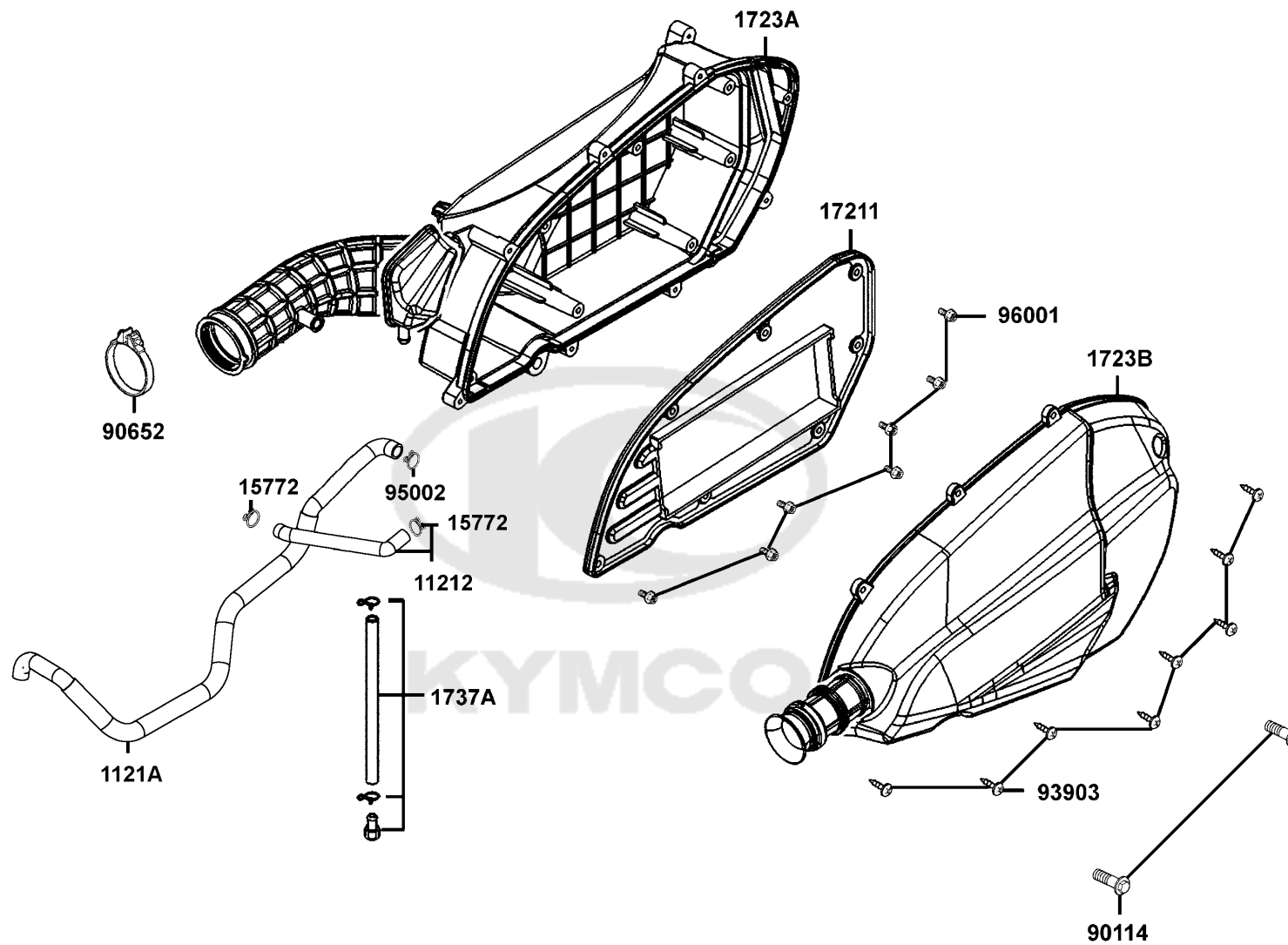
93903-GFY6-900

SCREW TAPPING 4*14

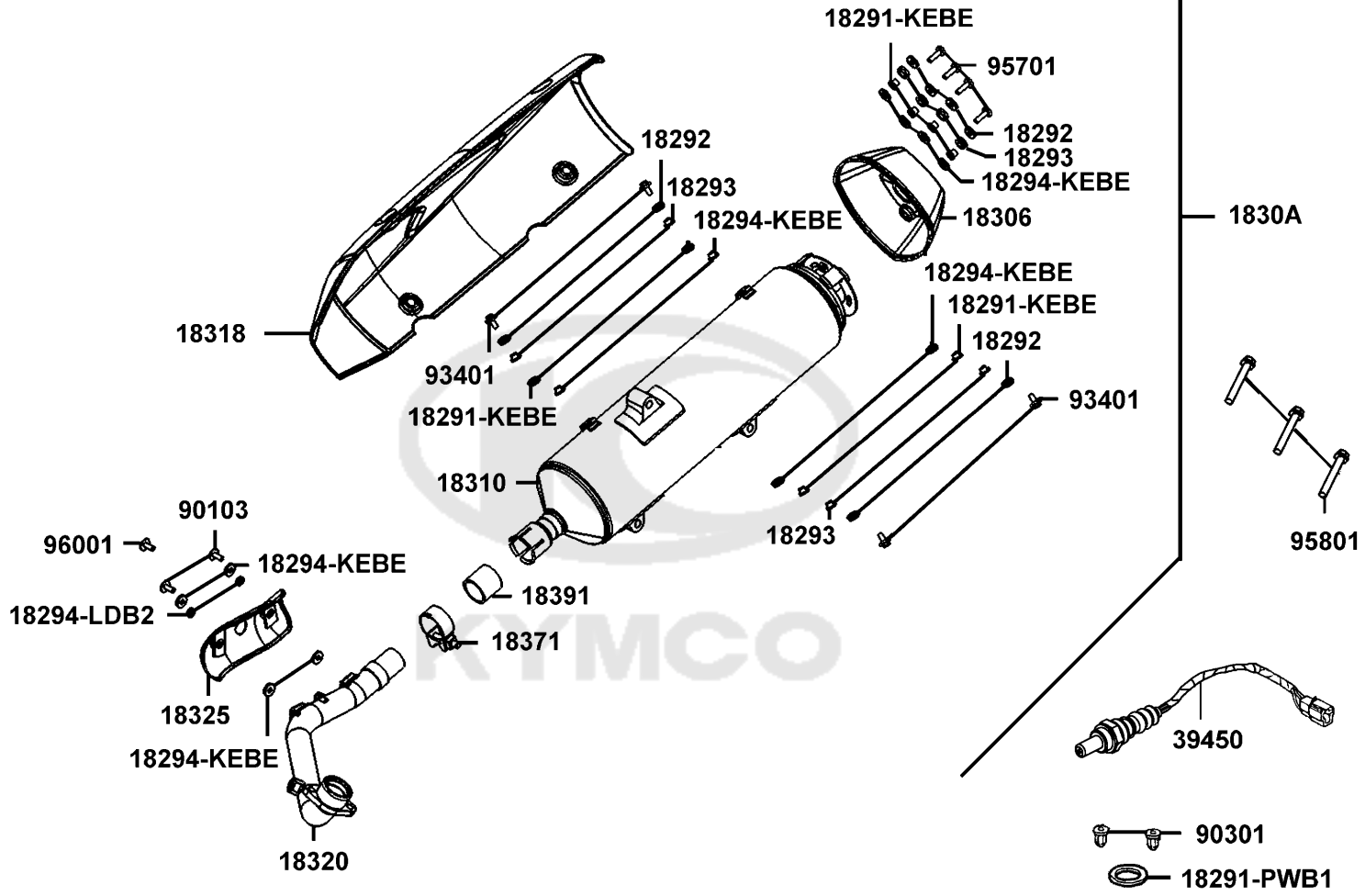
SCREW TAPPING 4*14

2

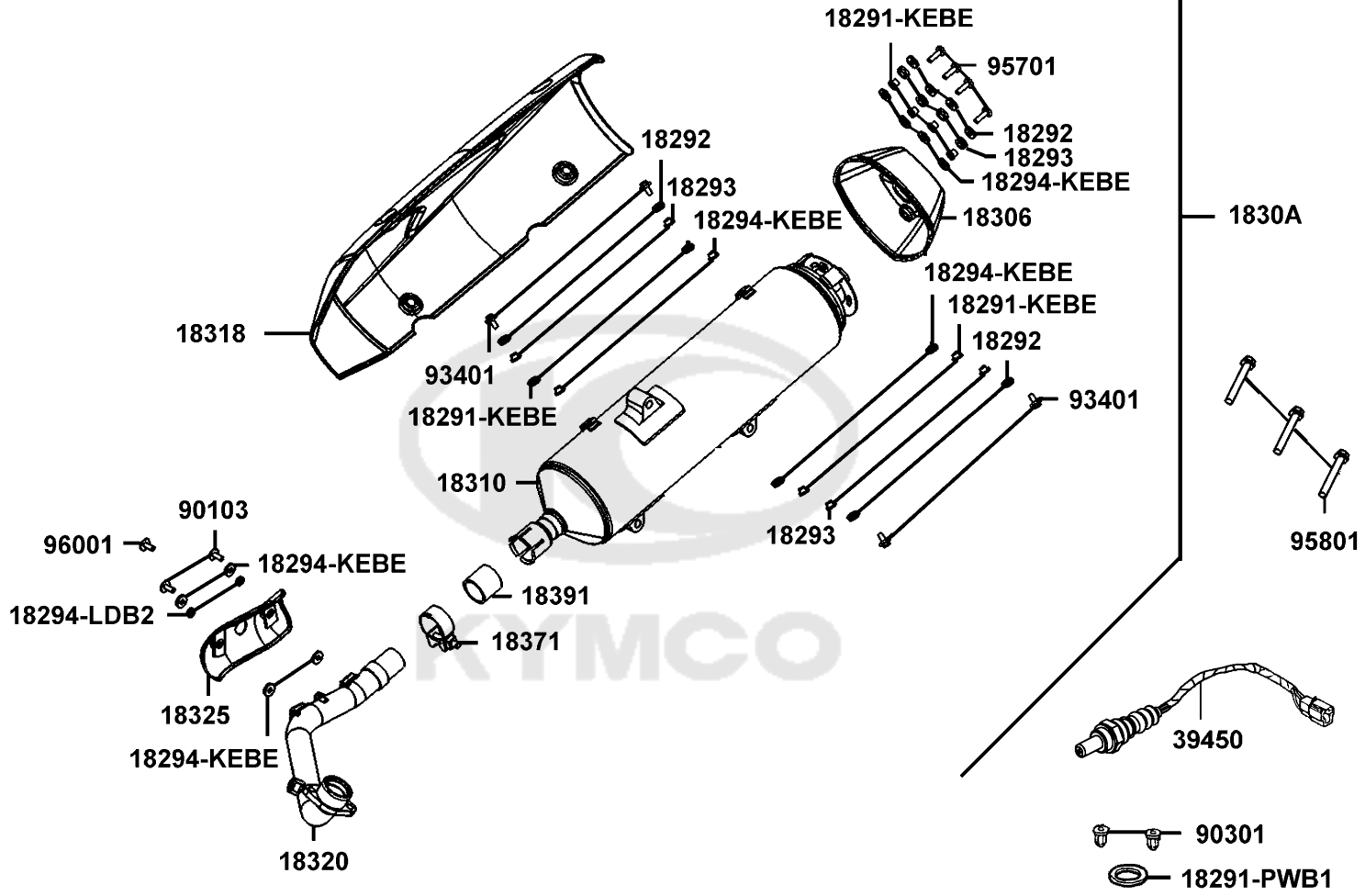




Sales mark	Ref no	Part no	Description	Reg description	Regd no	F13
11212		11212-LEA7-E00	TUBE BLOW	TUBE BLOW	1	
1121A		1121A-LEA7-E00	TUBE BREATHER	TUBE BREATHER	1	
15772		15772-5L00-013	CLIP B14.5 TUBE	CLIP B14.5 TUBE	2	
17211		17211-LEA7-E00	ELEMENT AIR/C	ELEMENT AIR/C	1	
1723A		1723A-LEA7-E00	CASE ASSY AIR/C	CASE ASSY AIR/C	1	
1723B		1723B-LEA7-E00	COVER COMP AIR/C	COVER COMP AIR/C	1	
1737A		1737A-KUDU-900	V TUBE ASSY	V TUBE ASSY	1	
90114		90114-GDM4-011	BOLT FLANGE SH 6*28	BOLT FLANGE SH 6*28	2	
90652		90652-KHE7-900	BAND CONNECTING TUBE	BAND CONNECTING TUBE	1	
93903		93903-25460	SCREW TAPPING 4*12	SCREW TAPPING 4*12	8	
95002		95002-02150	CLIP B14.5 TUBE	CLIP B14.5 TUBE	2	
96001		96001-GFY6-900	BOLT SPECIAL 5*10	BOLT SPECIAL 5X10	7	



Sales mark	Ref no	Part no	Description	Reg description	Regd no	F14
	18291-KEBE	18291-KEBE-900	COLLAR	COLLAR	6	
	18291-PWB1	18291-PWB1-900	SEAL EXHAUST PIPE	SEAL EXHAUST PIPE	1	
	18292	18292-KEBE-900	PACKING PROTECTOR	PACKING PROTECTOR	8	
	18293	18293-KEBE-900	RUBBER PKG PROTR	RUBBER PKG PROTR	8	
	18294-KEBE	18294-KEBE-900	PACKING PROTECTOR	PACKING PROTECTOR	10	
	18294-LDB2	18294-LDB2-900	PACKING INNER PROTECTOR	PACKING INNER PROTECTOR	2	
**	18306	18306-LEA7-E00	TAIL CAP MUFFLER	TAIL CAP MUFFLER	1	
**	1830A	1830A-LEA7-E00	MUFFLER ASSY EXH	MUFFLER ASSY EXH	1	
	18310	18310-LEA7-E00	MUFFLER COMP	MUFFLER COMP	1	
**	18318	18318-LEA7-E00	PROTECTOR MUFFLER	PROTECTOR MUFFLER	1	
	18320	18320-LEA7-E00	PIPE EXHAUST	PIPE EXHAUST	1	
**	18325	18325-LEA7-E00	PROTECTOR,EXHAUST	PROTECTOR,EXHAUST	1	
	18371	18371-LEA7-E00	BAND MUFFLER	BAND MUFFLER	1	
	18391	18391-LEA7-E00	GASKET	GASKET	1	
	39450	39450-LDF2-800	O2 SENSOR	O2 SENSOR	1	
#	96001	90101-LEA7-E00	BOLT FLANGE SH 6X8	BOLT FLANGE SH 6X8	1	
#	90103	90103-LEA7-E00	BOLT FLANGE SH 6X16	BOLT FLANGE SH 6X16	2	
	90301	90301-GFY6-901	NUT (HEX) CAP 8MM	NUT (HEX) CAP 8MM	2	
	93401	93401-06020-07	BOLT WASHER 6*20	BOLT WASHER 6*20	4	
	95701	95701-06022-06	BOLT FLANGE 6*22	BOLT FLANGE 6*22	4	



Sales mark	Ref no	Part no	Description	Reg description	Regd no	F14
------------	--------	---------	-------------	-----------------	---------	------------

95801

95801-10060-06

BOLT FLANGE 10*60

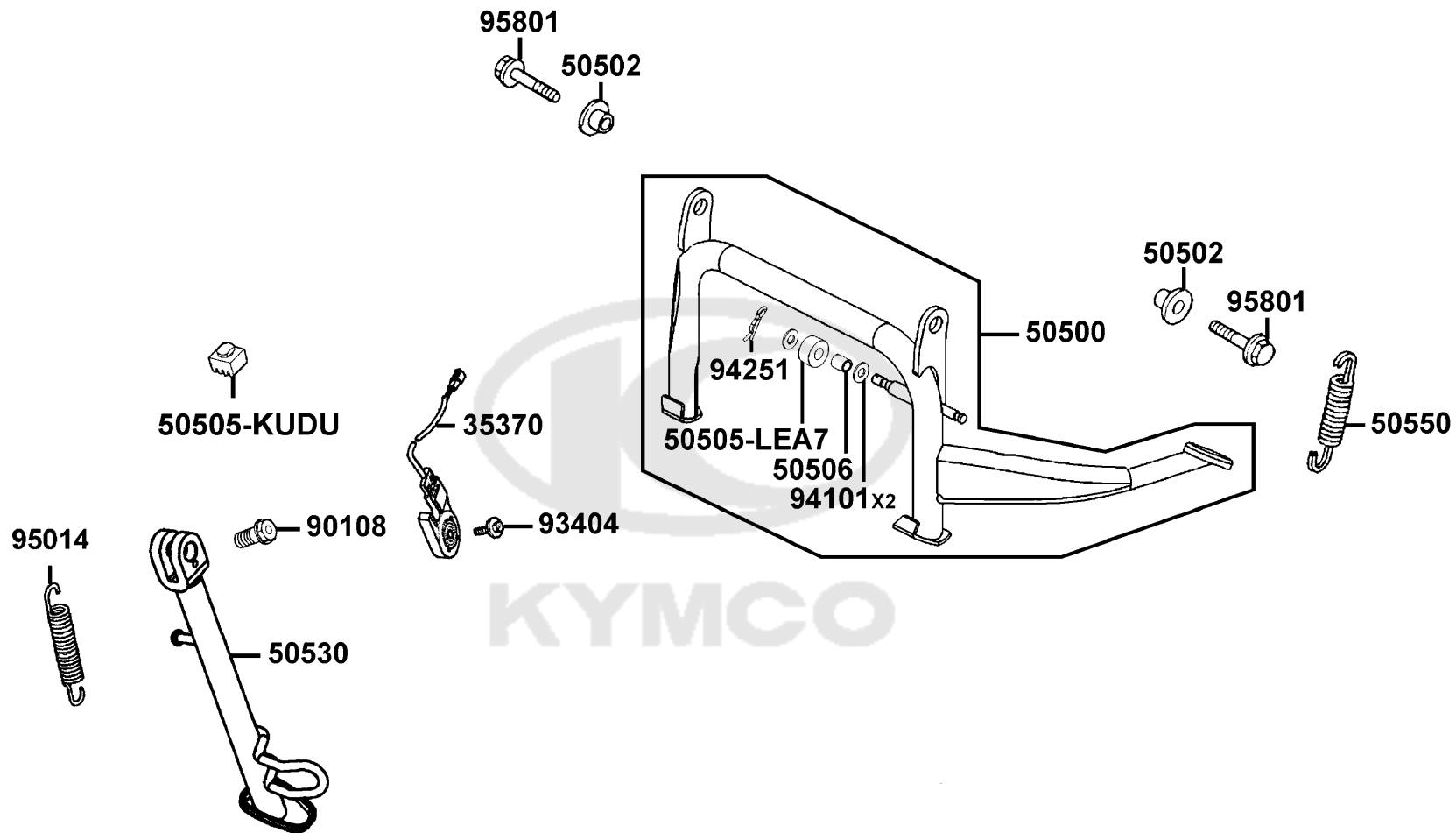
BOLT FLANGE 10*60

3



F15

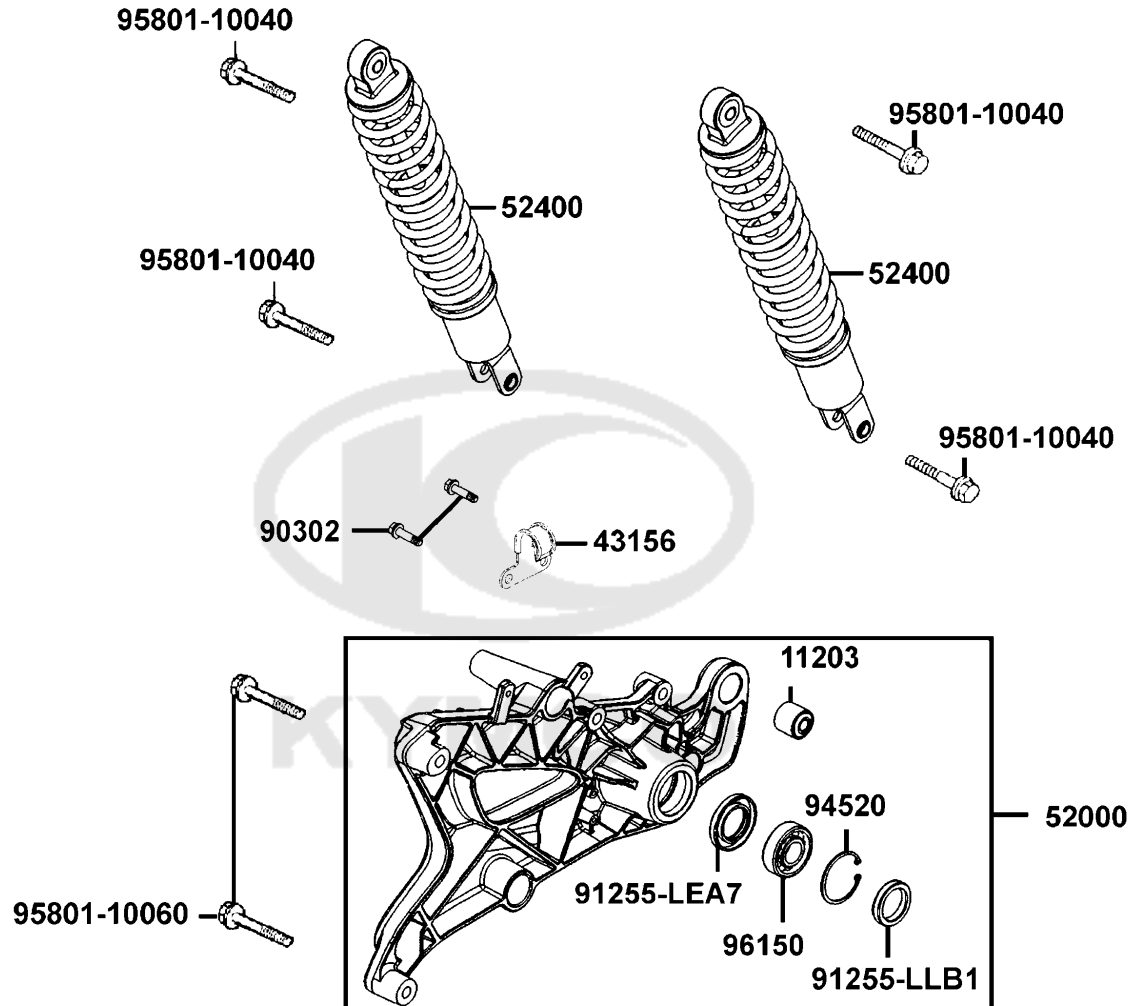
Stand



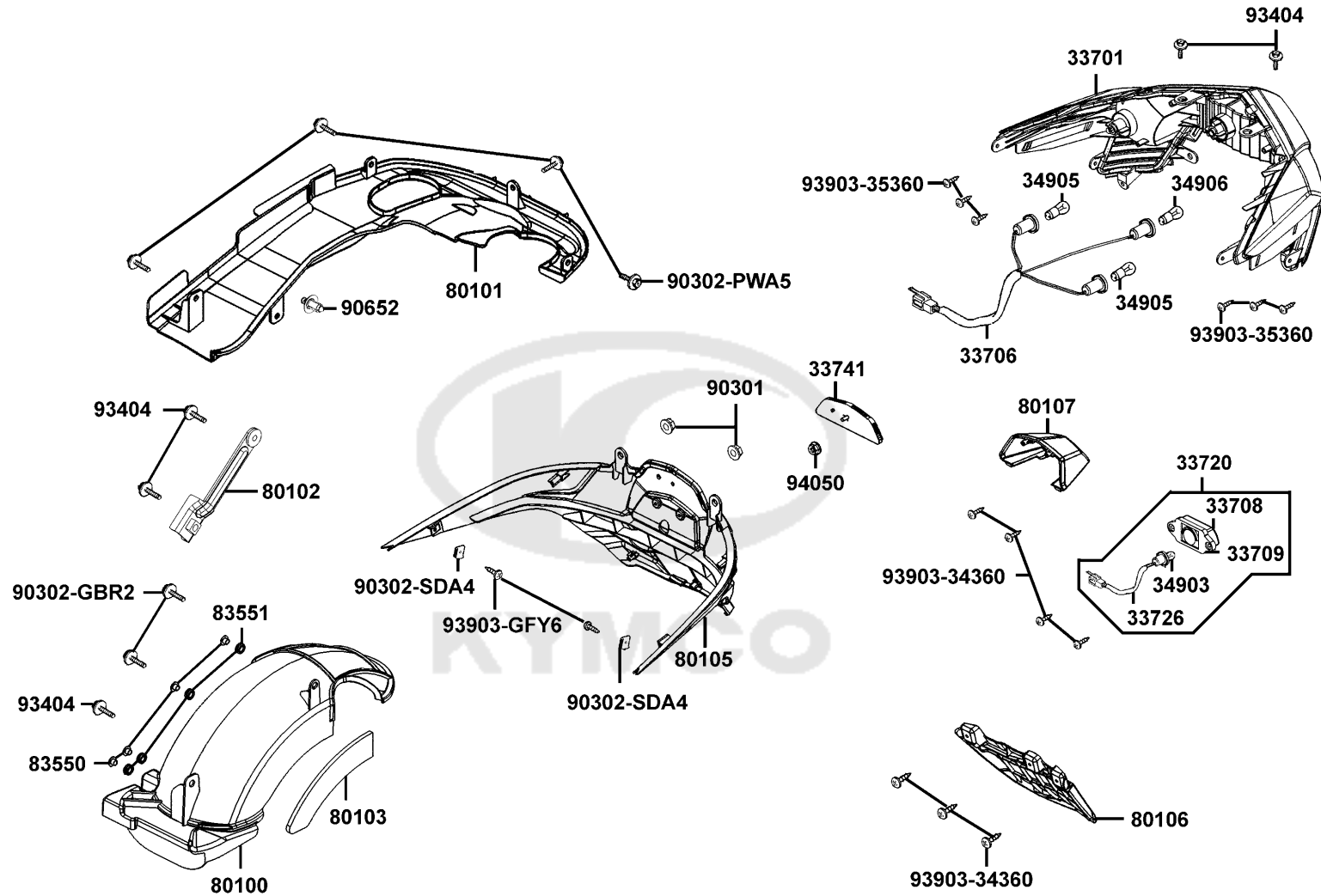
Sales mark	Ref no	Part no	Description	Reg description	Regd no	F15
35370		35370-LLJ3-E00	SW UNIT SIDE STAND	SW UNIT SIDE STAND	1	
50500		50500-LEA7-E05	STAND COMP MAIN	STAND COMP MAIN	1	
50502		50502-LDF7-E10	COLLAR MAIN STAND	COLLAR MAIN STAND	2	
50505-KUDU		50505-KUDU-900	STOPPER RUBBER	STOPPER RUBBER	1	
50505-LEA7		50505-LEA7-E00	STOPPER RUBBER	STOPPER RUBBER	1	
50506		50506-KHE7-E00	COLLAR STOPPER RUBBER	COLLAR STOPPER RUBBER	1	
50530		50530-LEA7-E05	STAND COMP SIDE	STAND COMP SIDE	1	
50550		50550-KKC2-E00	SPG ASSY MAIN STAND	SPG ASSY MAIN STAND	1	
90108		90108-KKC4-900	SCREW SIDE STAND PIVOT	SCREW SIDE STAND PIVOT	1	
93404		93404-06016-06	BOLT WASHER 6*16	BOLT WASHER 6*16	1	
94101		94101-08600	WASHER PLAIN 8MM	WASHER PLAIN 8MM	2	
94251		94251-08400	PIN LOCK 8MM	PIN LOCK 8MM	1	
95014		95014-72204	SPG B1 SIDE STAND	SPG B1 SIDE STAND	1	
95801		95801-10030-06	BOLT FLANGE 10*30(G)	BOLT FLANGE 10*30(G)	2	

F16

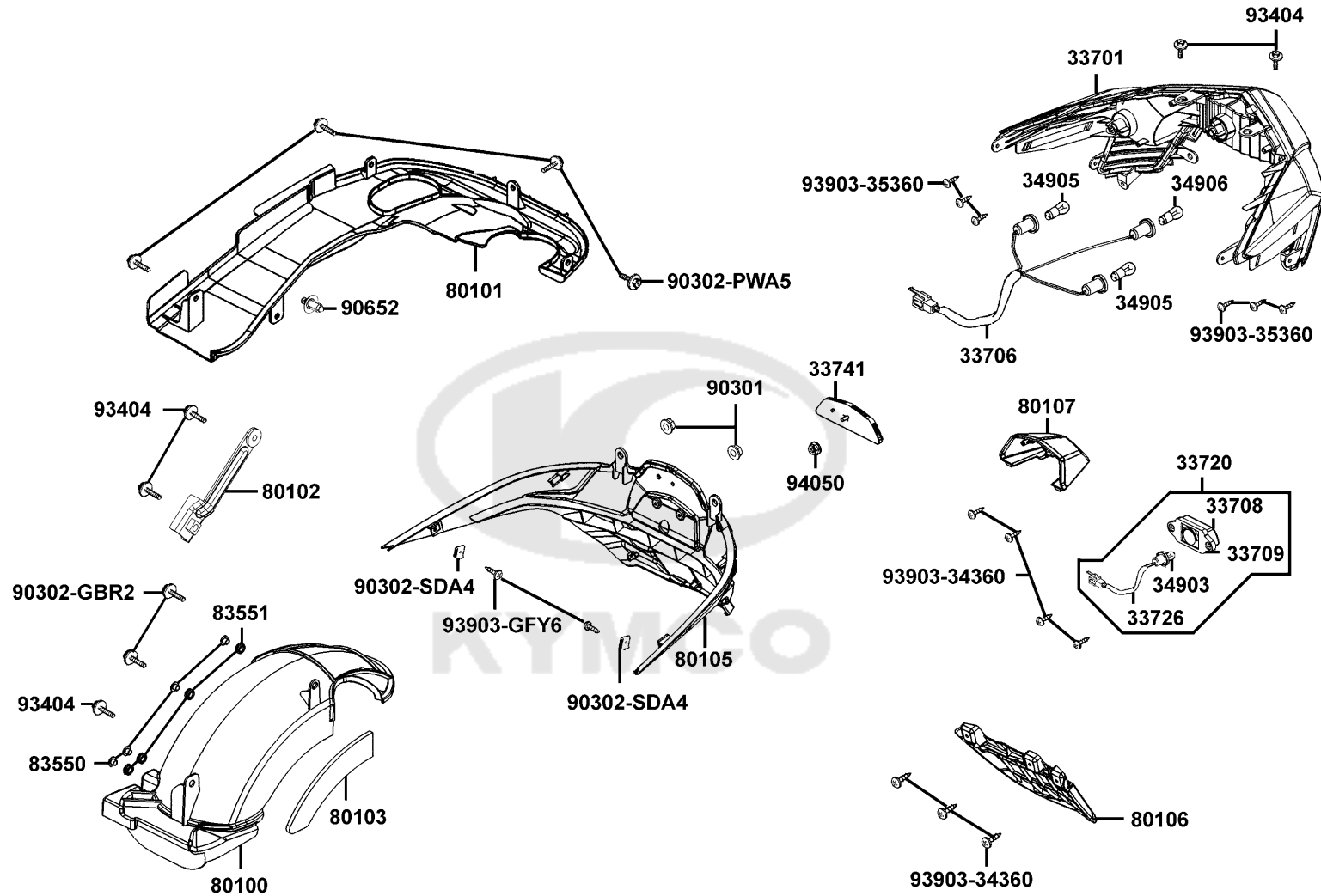
Rr Cushion



Sales mark	Ref no	Part no	Description	Reg description	Regd no	F16
	11203	11203-LBA2-E00	RUB BUSH L CASE	RUB BUSH L CASE	1	
	43156	43156-LEA7-E00	CLAMPER HOSE RR	CLAMPER HOSE RR	1	
**	52000	52000-LEA7-E00	FORK ASSY RR	FORK ASSY RR	1	
**	52400	52400-LEA7-E00	CUSHION ASSY, RR	CUSHION ASSY, RR	2	
	90302	90302-LLB1-E00	BOLT-WASHER 5*12	BOLT-WASH 5X12	2	
	91255-LEA7	91255-LEA7-E00	OIL SEAL 30x50x7	OIL SEAL 30x50x7	1	
	91255-LLB1	91255-LLB1-900	OIL SEAL 30*40*7	OIL SEAL 30*40*7	1	
	94520	94520-47000	CIR CLIP IN 47	CIR CLIP IN 47	1	
	95801-10040	95801-10040-02	BOLT FLANGE 10*40	BOLT FLANGE 10*40	4	
	95801-10060	95801-10060-06	BOLT FLANGE 10*60	BOLT FLANGE 10*60	2	
	96150	96150-62040-10	BEARING BALL RADIAL 6204	BEARING BALL RADIAL 6204	1	

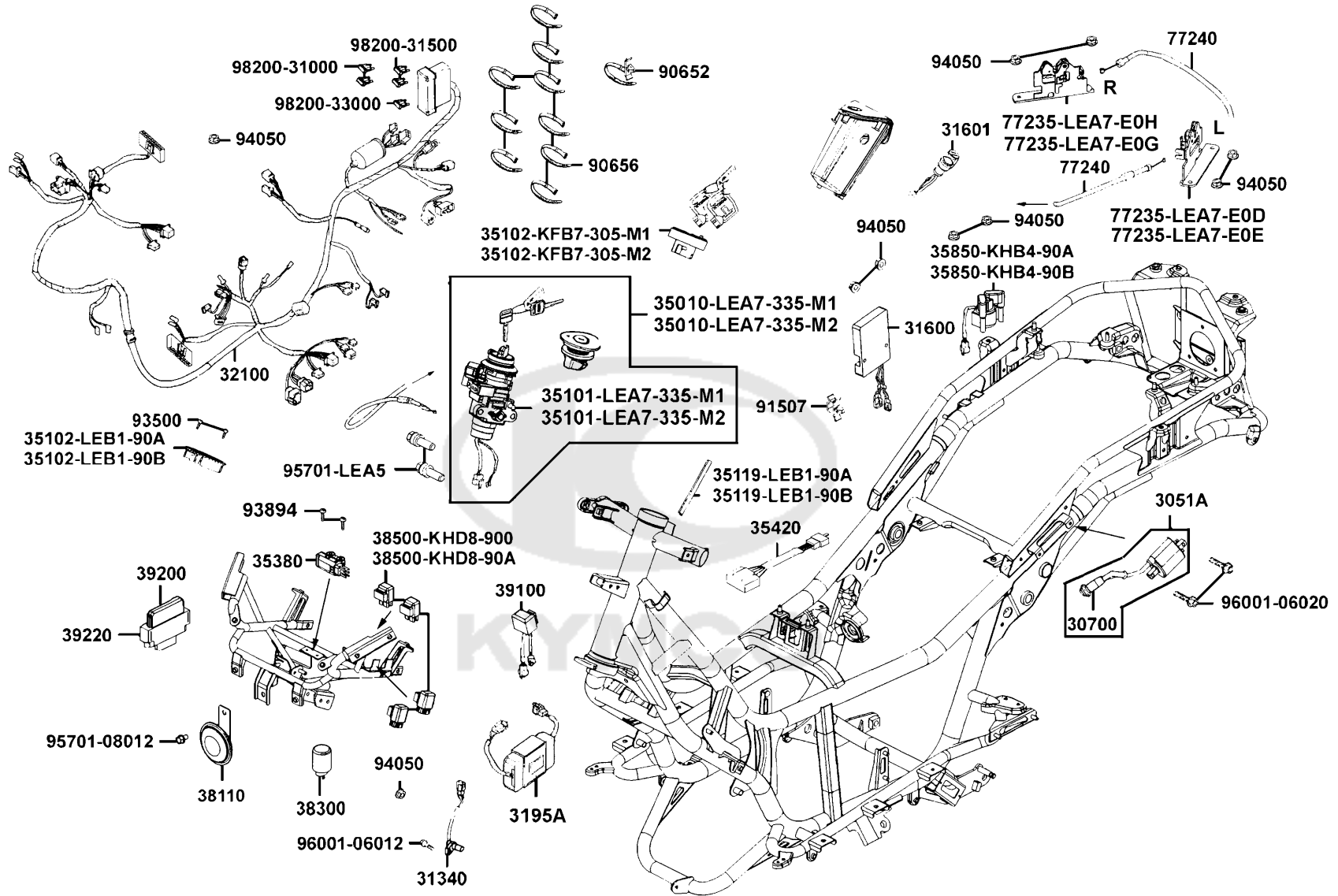


Sales mark	Ref no	Part no	Description	Reg description	Regd no	F17
	33701	33701-LEA7-E00	UNIT TAIL LIGHT	UNIT TAIL LIGHT	1	
	33706	33706-LEA7-E00	SOCKET COMP TAIL LIGHT	SOCKET COMP TAIL LIGHT	1	
	33708	33708-KHE7-E00	LENS LICENSE	LENS LICENSE	1	
	33709	33709-KHE7-E00	BASE LICENSE	BASE LICENSE	1	
	33720	33720-LBB5-E00	LIGHT ASSY LICENSE	LIGHT ASSY LICENSE	1	
	33726	33726-LBB5-E00	SOCKET COMP	SOCKET COMP	1	
	33741	33741-LEA7-E00	REFLEX,REFLECTOR	REFLEX,REFLECTOR	1	
	34903	34903-KPCP-900	BULB POSITION	BULB POSITION	1	
	34905	34905-LCA5-E00	BULB WINKER 12C5W	BULB WINKER 12C5W	2	
	34906	34906-KPCP-900	BULB TAIL & STOP 12V21W/5W	BULB TAIL & STOP 12V21W/5W	1	
**	80100	80100-LEA7-E00	FENDER RR TIRE	FENDER RR TIRE	1	
**	80101	80101-LEA7-E00	FENDER RR INNER	FENDER RR INNER	1	
	80102	80102-LEA7-E00	STAY RR TIRE FENDER	STAY RR TIRE FENDER	1	
	80103	80103-LEA7-E00	SPONGE TAPE,FENDER	SPONGE TAPE,FENDER	1	
**	80105	80105-LEA7-E00	FENDER RR	FENDER RR	1	
**	80106	80106-LEA7-E00	FENDER LOW RR	FENDER LOW RR	1	
**	80107	80107-LEA7-E00	COVER LICENSE LIGHT	COVER LICENSE LIGHT	1	
	83550	83550-KEC8-900	COLLAR	COLLAR	4	
	83551	83551-KEC8-900	GROMMET COVER	GROMMET COVER	4	
	90301	90301-6D34-671	NUT FLANGE 6MM	NUT FLANGE 6MM	2	



Sales mark	Ref no	Part no	Description	Reg description	Regd no	F17
90302-GBR2	90302-GBR2	90302-GBR2-001	BOLT WASH 5*16	BOLT WASH 5*16	2	
90302-PWA5	90302-PWA5	90302-PWA5-900	BOLT-WASH 5*12	BOLT-WASH 5*12	4	
90302-SDA4	90302-SDA4	90302-SDA4-004	NUT SPRING 4MM	NUT SPRING 4MM	2	
90652	90652-LCA4-E00	90652-LCA4-E00	CLIP MUDGUARD	CLIP MUDGUARD	1	
93404	93404-06016-06	93404-06016-06	BOLT WASHER 6*16	BOLT WASHER 6*16	5	
93903-34360	93903-34360	93903-34360	SCREW TAPPING 4*12	SCREW TAPPING 4*12	7	
93903-35360	93903-35360	93903-35360	SCREW TAPPING 5*16	SCREW TAPPING 5*16	8	
93903-GFY6	93903-GFY6-900	93903-GFY6-900	SCREW TAPPING 4*14	SCREW TAPPING 4*14	2	
94050	94050-05080	94050-05080	NUT FLANGE 5MM	NUT FLANGE 5MM	1	

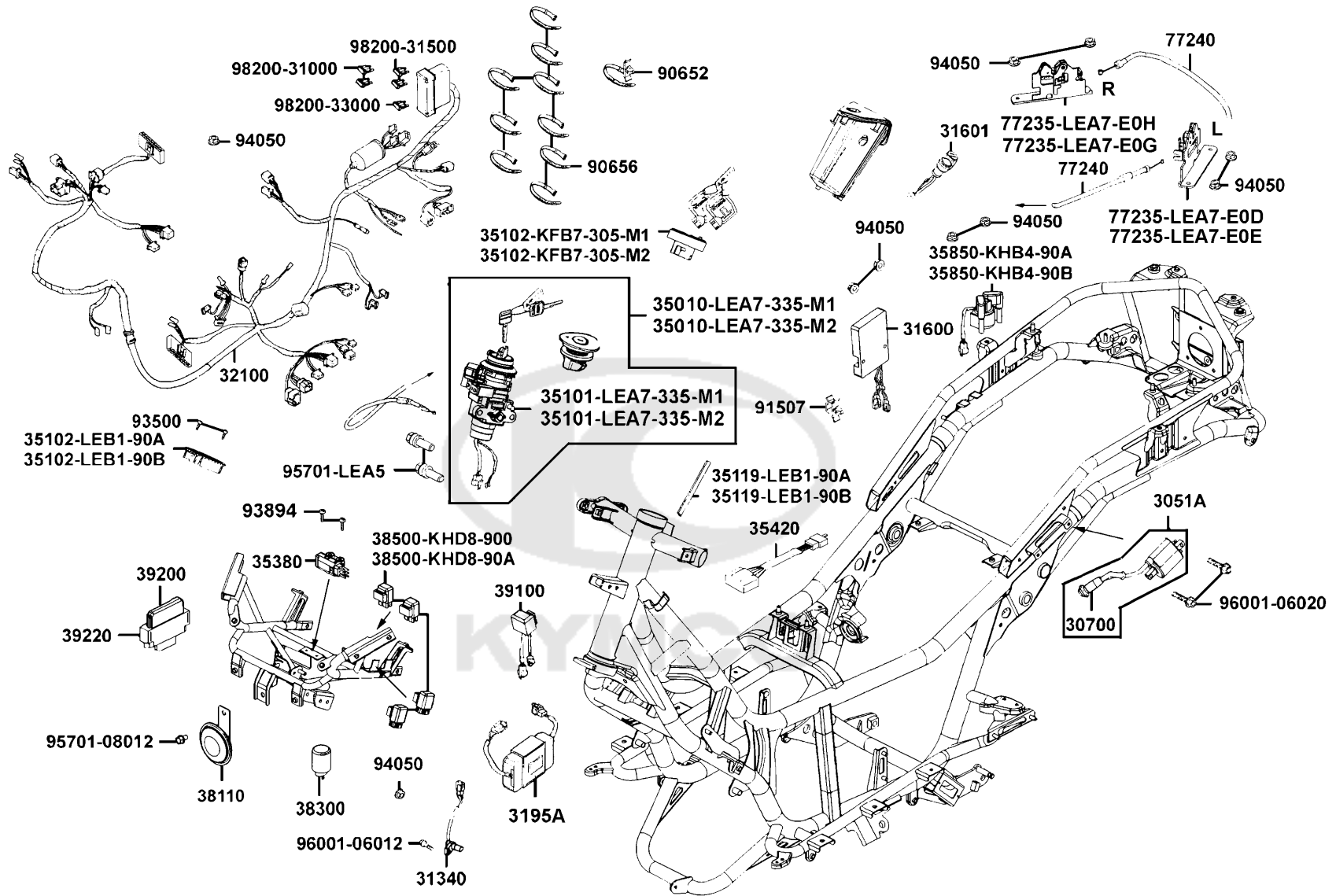




Sales mark	Ref no	Part no	Description	Reg description	Regd no	F18
	3051A	3051A-LDF2-900	COIL ASSY IGNITION	COIL ASSY IGNITION	1	
	30700	30700-KFC8-E0H	CAP ASSY NOISE SUPPR	CAP ASSY NOISE SUPPR	1	
	31340	31340-LFH1-E00	SENSOR FR WHEEL SPEED	SENSOR FR WHEEL SPEED	1	
	31600	31600-KED9-900	REG REC COMP	REG REC COMP	1	
	31601	31601-LEA7-E00	SOCKET COMP DC 12V	SOCKET COMP DC 12V	1	
	3195A	3195A-LEA7-E05	HAZARD CONTROL ASSY	HAZARD CONTROL ASSY	1	
	32100	32100-LEA7-E05	HARNES WIRE	HARNES WIRE	1	
	35010-LEA7-335-M1	35010-LEA7-335-M1	KEY SET COMB	KEY SET COMB	1	
	35010-LEA7-335-M2	35010-LEA7-335-M2	KEY SET COMB	KEY SET COMB	1	
	35101-LEA7-335-M1	35101-LEA7-335-M1	KEY SET LOCK & COMB	KEY SET LOCK & COMB	1	
	35101-LEA7-335-M2	35101-LEA7-335-M2	KEY SET LOCK & COMB	KEY SET LOCK & COMB	1	
	35102-KFB7-305-M1	35102-KFB7-305-M1	SHUTTER MAGNETIC LOCK SET	SHUTTER MAGNETIC LOCK SET	1	
	35102-KFB7-305-M2	35102-KFB7-305-M2	SHUTTER MAGNETIC LOCK SET	SHUTTER MAGNETIC LOCK SET	1	
	35102-LEB1-90A	35102-LEB1-90A	COLLAR MAIN SW	COLLAR MAIN SW	1	
	35102-LEB1-90B	35102-LEB1-90B	COLLAR MAIN SW	COLLAR MAIN SW	1	
	35119-LEB1-90A	35119-LEB1-90A	COVER SEAT CABLE	COVER SEAT CABLE	1	
	35119-LEB1-90B	35119-LEB1-90B	COVER SEAT CABLE	COVER SEAT CABLE	1	
	35380	35380-LDF2-900	SENSOR ANGLE DETECT	SENSOR ANGLE DETECT	1	
	35420	35420-LFH1-E00	CONTROLLER OIL LAMP	CONTROLLER OIL LAMP	1	
	35850-KHB4-90A	35850-KHB4-90A	SET START MAG	SET START MAG	1	

F18

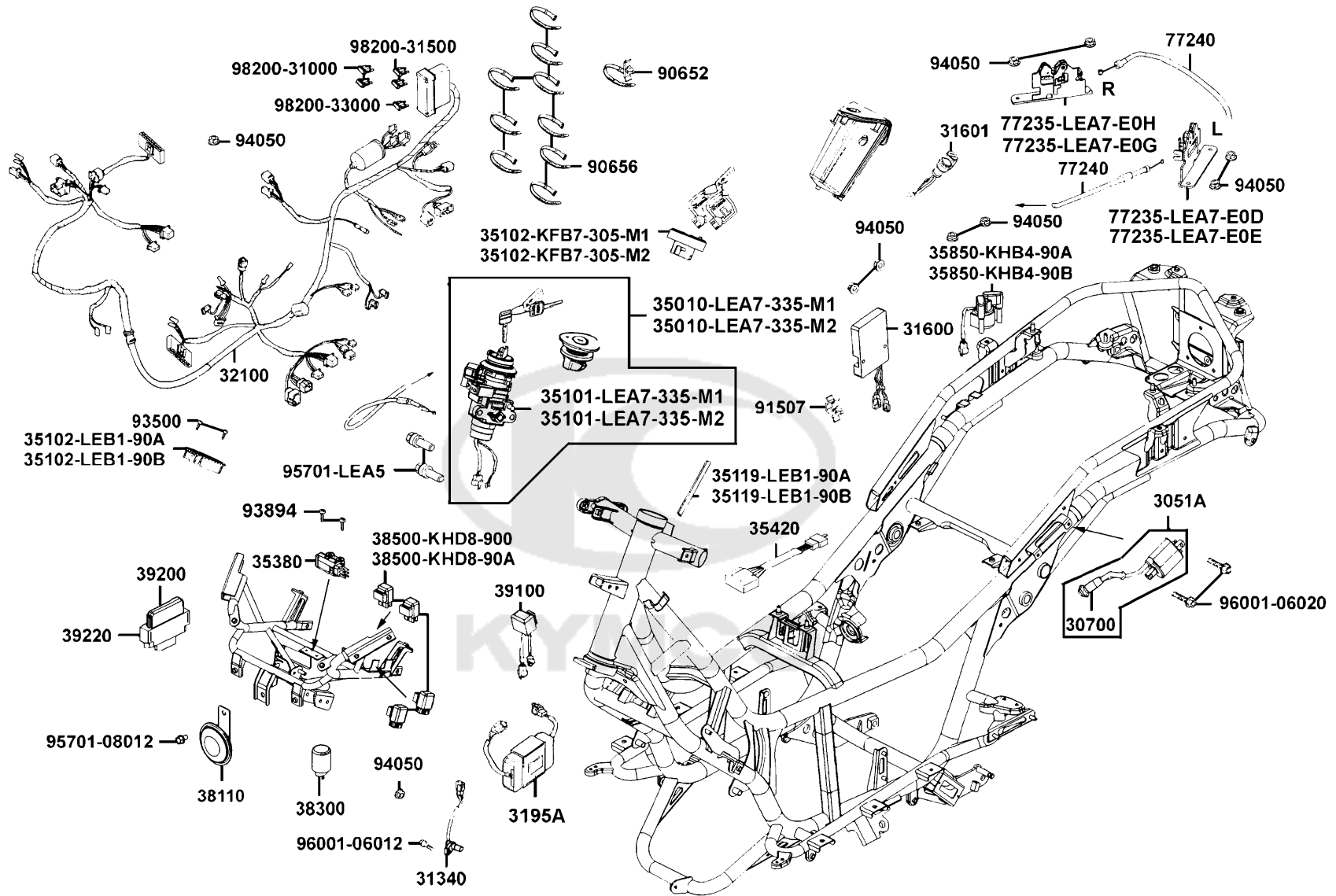
Harness Wire



Sales mark	Ref no	Part no	Description	Reg description	Regd no	F18
	35850-KHB4-90B	35850-KHB4-90B	SET START MAG	SET START MAG	1	
	38110	38110-KKC3-90B	HORN COMP	HORN COMP	1	
	38300	38300-LEA7-E0A	RELAY COMP WINKER	RELAY COMP WINKER	1	
	38500-KHD8-900	38500-KHD8-900	RELAY ASSY LIGHT	RELAY ASSY LIGHT	4	
	38500-KHD8-90A	38500-KHD8-90A	RELAY ASSY LIGHT	RELAY ASSY LIGHT	1	
	39100	39100-LEA7-E00	EMI FILTER FAN MOTOR	EMI FILTER FAN MOTOR	1	
	39200	39200-LEA7-E05	ECU ASSY	ECU ASSY	1	
	39220	39220-LDF2-900	CUSHION CASE ECU	CUSHION CASE ECU	1	
	77235-LEA7-E0D	77235-LEA7-E0D	SEAT CATCH	SEAT CATCH	1	
	77235-LEA7-E0E	77235-LEA7-E0E	SEAT CATCH	SEAT CATCH	1	
	77235-LEA7-E0G	77235-LEA7-E0G	SEAT CATCH	SEAT CATCH	1	
	77235-LEA7-E0H	77235-LEA7-E0H	SEAT CATCH	SEAT CATCH	1	
	77240	77240-LEA7-E00	CABLE SEAT LOCK	CABLE SEAT LOCK	1	
	90652	90652-LGL7-E00	CLIP,8X120	CLIP,8X120	1	
	90656	90656-KCBC-900	BAND OIL HOSE	BAND OIL HOSE	9	
	91507	91507-LEA7-E00	CLIP	CLIP	1	
	93500	93500-KHC4-90A	SCREW PAN 5*10	SCREW PAN 5*10	2	
	93894	93894-04022-08	SCREW PLAIN WASHER 4*22	SCREW PLAIN WASHER 4*22	2	
	94050	94050-06080	NUT FLANGE 6MM	NUT FLANGE 6MM	10	
	95701-08012	95701-08012-08	BOLT FLANGE 8*12	BOLT FLANGE 8*12	1	

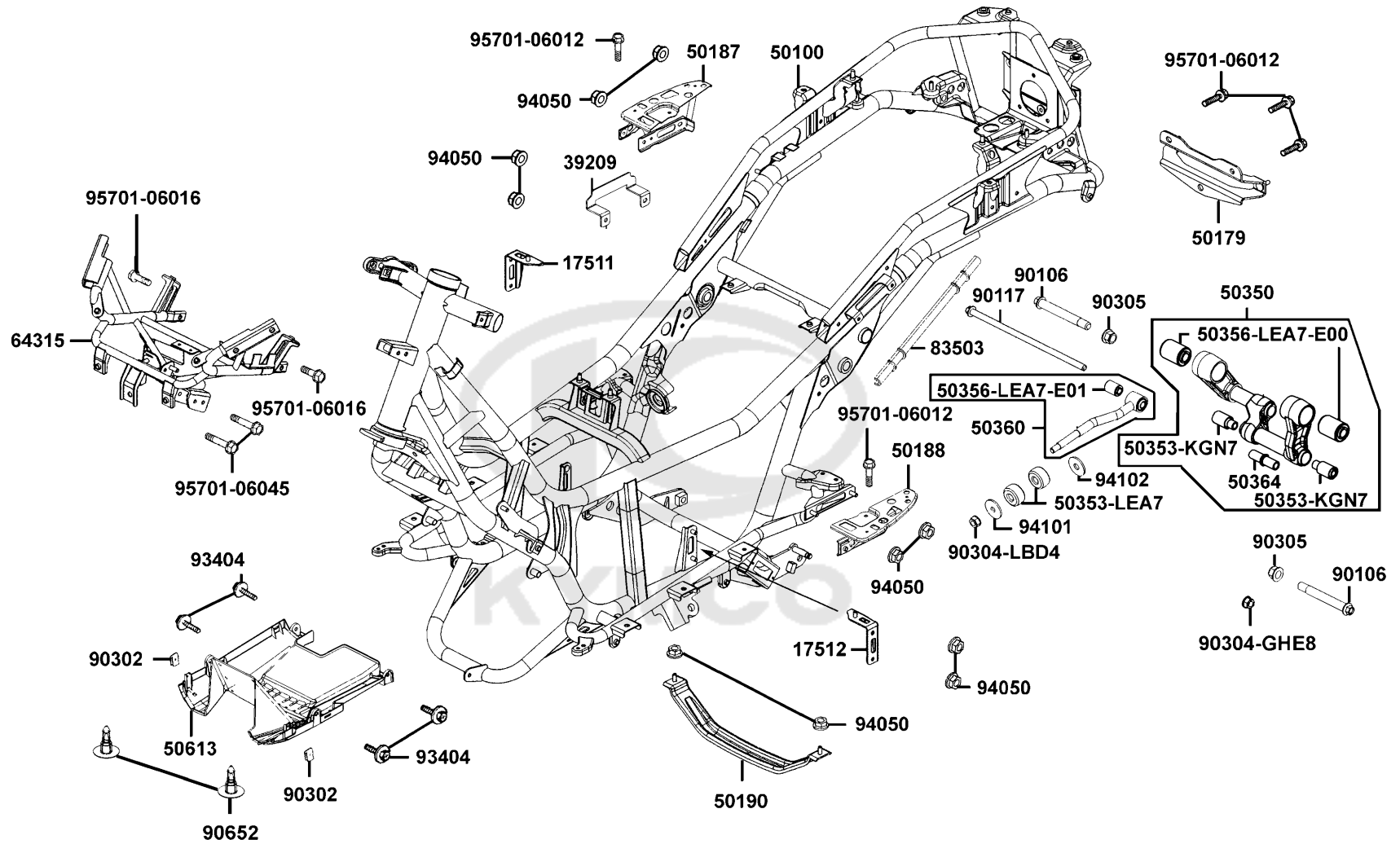
F18

Harness Wire

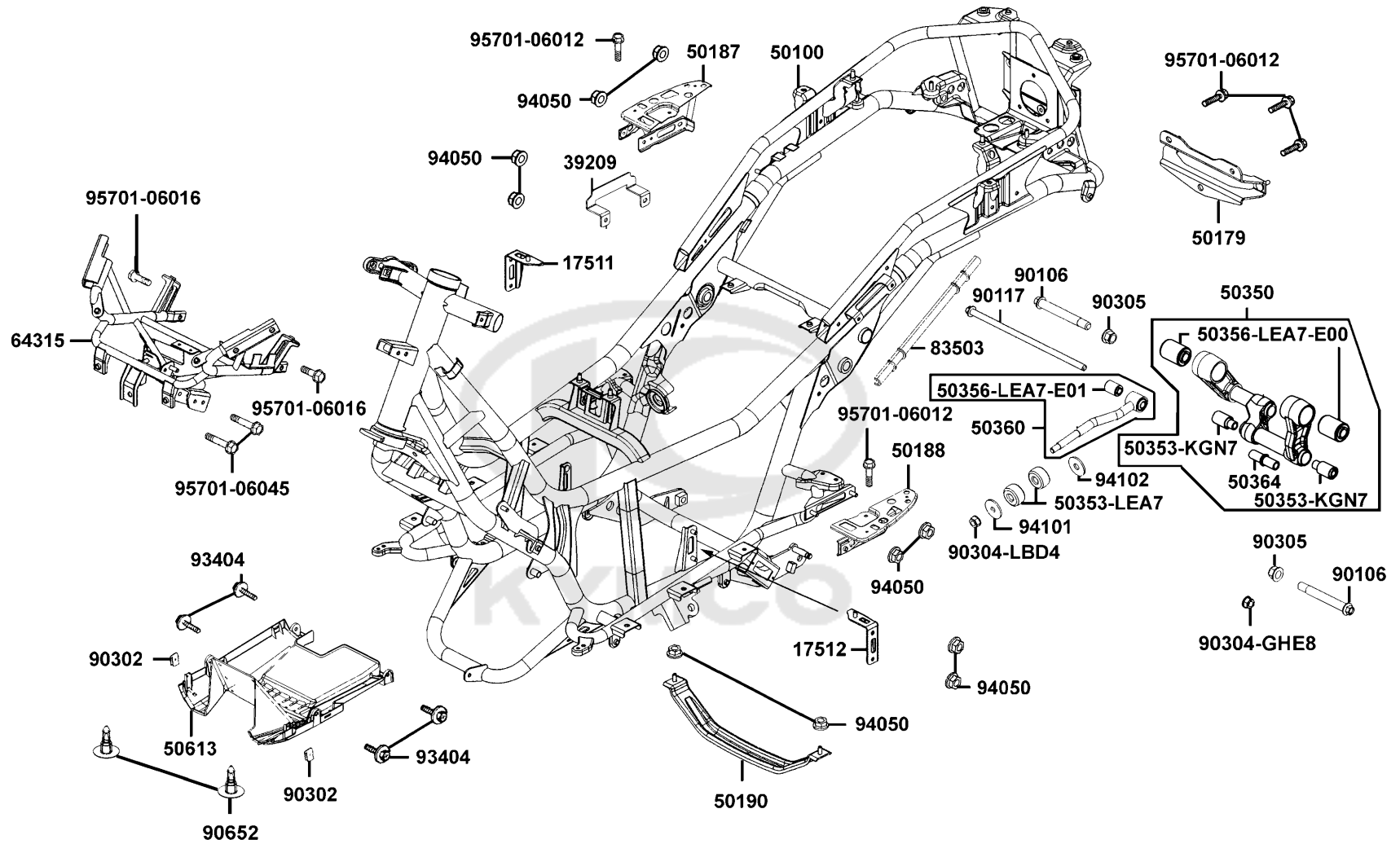


Sales mark	Ref no	Part no	Description	Reg description	Regd no	F18
	95701-LEA5	95701-LEA5-E00	BOLT TORQUE 8*25	BOLT TORQUE 8*25	2	
	96001-06012	96001-06012-06	BOLT FLANGE SH 6*12	BOLT FLANGE SH 6*12	2	
	96001-06020	96001-06020-08	BOLT FLANGE SH 6*20	BOLT FLANGE SH 6*20	2	
	98200-31000	98200-31000	BLADE FUSE 10A	BLADE FUSE 10A	2	
	98200-31500	98200-31500	BLADE FUSE 15A	BLADE FUSE 15A	2	
	98200-33000	98200-33000	BLADE FUSE 30A	BLADE FUSE 30A	1	





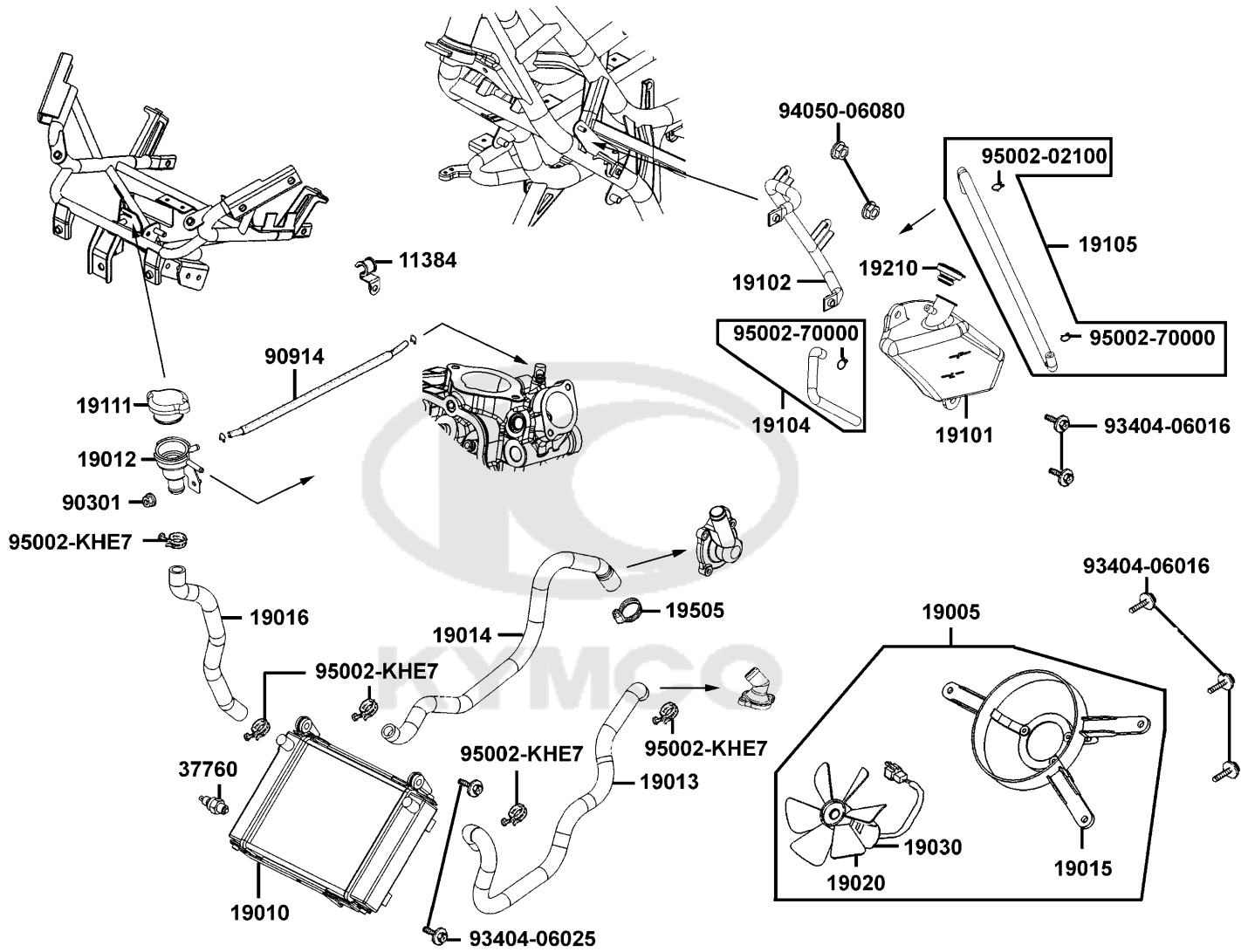
Sales mark	Ref no	Part no	Description	Reg description	Regd no	F19
	17511	17511-LEA7-E00	STAY R,FUEL TANK	STAY R,FUEL TANK	1	
	17512	17512-LEA7-E00	STAY L FUEL TANK	STAY L FUEL TANK	1	
	39209	39209-LEA7-E00	STAY ECU	STAY ECU	1	
	50100	50100-LEA7-E00	BODY COMP FRAME	BODY COMP FRAME	1	
	50179	50179-LEA7-E00	STAY,RR FENDER UP	STAY,RR FENDER UP	1	
	50187	50187-LEA7-E00	STAY R RR STEP	STAY R RR STEP	1	
	50188	50188-LEA7-E00	STAY L RR STEP	STAY L RR STEP	1	
	50190	50190-LEA7-E00	PROTECTOR UNDER COVER	PROTECTOR UNDER COVER	1	
	50350	50350-LEA7-E00	HANGER ASSY ENG	HANGER ASSY ENG	1	
	50353-KGN7	50353-KGN7-901	BUSH A ENG HANGER	BUSH A ENG HANGER	2	
	50353-LEA7	50353-LEA7-E00	RUBBER STOPPER	RUBBER STOPPER	1	
	50356-LEA7-E00	50356-LEA7-E00	RUB BUSH ENG HANGER	RUB BUSH ENG HANGER	2	
	50356-LEA7-E01	50356-LEA7-E01	RUB BUSH ENG HANGER	RUB BUSH ENG HANGER	1	
	50360	50360-LEA7-E00	TIE ROD ASSY ENG	TIE ROD ASSY ENG	1	
	50364	50364-KHE7-E00	COLLAR B ENG HANGER	COLLAR B ENG HANGER	1	
**	50613	50613-LEA7-E00	COVER UNDER	COVER UNDER	1	
	64315	64315-LEA7-E00	BRKT FR COVER	BRKT FR COVER	1	
**	83503	83503-KHD6-900	COVER PROTECT SEAT WIRE FR	COVER PROTECT SEAT WIRE FR	1	
	90106	90106-LEA7-E00	BOLT FLANGE 15x118(M14)	BOLT FLANGE 15x118(M14)	2	
	90117	90117-KED9-900	BOLT FLANGE 10*265	BOLT FLANGE 10*265	1	



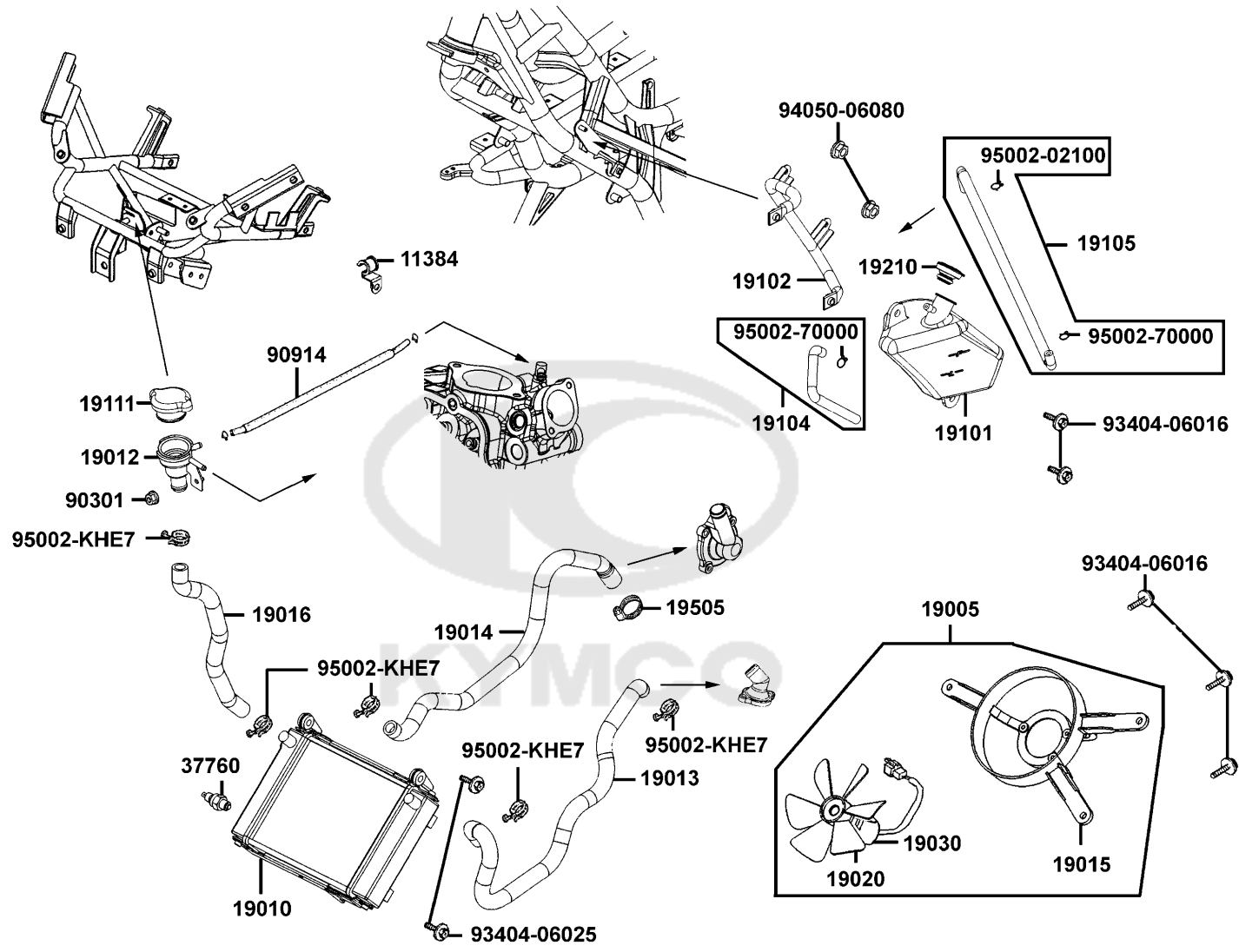
Sales mark	Ref no	Part no	Description	Reg description	Regd no	F19
90302		90302-SDA4-004	NUT SPRING 4MM	NUT SPRING 4MM	2	
90304-GHE8		90304-GHE8-004	NUT U 10MM	NUT U 10MM	1	
90304-LBD4		90304-LBD4-900	NUT U FLANGE 10MM	NUT U FLANGE 10MM	1	
90305		90305-LBD4-900	NUT U 14MM	NUT U 14MM	2	
90652		90652-LCA4-E00	CLIP MUDGUARD	CLIP MUDGUARD	1	
93404		93404-06016-06	BOLT WASHER 6*16	BOLT WASHER 6*16	4	
94050		94050-06080	NUT FLANGE 6MM	NUT FLANGE 6MM	10	
94101		94101-LBA2-E00	WASHER PLATE 10.5*38*3.0	WASHER PLATE 10.5*38*3.0	1	
94102		94102-LBA2-E00	WASHER PLAIN 38*12.5*3	WASHER PLAIN 38*12.5*3	1	
95701-06012		95701-06012-08	BOLT FLANGE 6*12	BOLT FLANGE 6*12	5	
95701-06016		95701-06016-06	BOLT FLANGE 6*16 (K)	BOLT FLANGE 6*16 (K)	2	
95701-06045		95701-06045-08	BOLT FLANGE 6*45	BOLT FLANGE 6*45	2	

F20

Radiator



Sales mark	Ref no	Part no	Description	Reg description	Regd no	F20
11384		11384-LEA7-E05	CLIP WATER PIPE	CLIP WATER PIPE	1	
19005		19005-LFA7-E00	SHROUD ASSY	SHROUD ASSY	1	
19010		19010-LFA7-E00	RADIATOR COMP	RADIATOR COMP	1	
19012		19012-LEA7-E05	UNIT RADIATOR	UNIT RADIATOR	1	
19013		19013-LEA7-E00	HOSE WATER INLET	HOSE WATER INLET	1	
19014		19014-LEA7-E00	HOSE WATER OUTLET	HOSE WATER OUTLET	1	
19015		19015-LEA5-E00	SHROUD COMP	SHROUD COMP	1	
19016		19016-LEA7-E00	HOSE WATER-UNIT CAP	HOSE WATER-UNIT CAP	1	
19020		19020-KED9-900	FAN COOLING	FAN COOLING	1	
19030		19030-KHD8-900	MOTOR ASSY FAN	MOTOR ASSY FAN	1	
19101		19101-LEA7-E00	TANK RESERVE	TANK RESERVE	1	
19102		19102-LEA7-E00	STAY TANK REVERSE	STAY TANK REVERSE	1	
19104		19104-LBA2-E00	HOSE ASSY DRAIN	HOSE ASSY DRAIN	1	
19105		19105-LEA7-E00	HOSE ASSY RESERVE	HOSE ASSY RESERVE	1	
19111		19111-GBE2-004	CAP COMP	CAP COMP	1	
19210		19210-KKC4-900	CAP RESERVE TANK	CAP RESERVE TANK	1	
19505		19505-LBA2-E00	CLAMP WATER HOSE	CLAMP WATER HOSE	1	
37760		37760-KHD8-900	SW ASSY THERMO	SW ASSY THERMO	1	
90301		90301-6D34-671	NUT FLANGE 6MM	NUT FLANGE 6MM	1	
90914		90914-LEA7-E05	TUBE ASSY WATER	TUBE ASSY WATER	1	

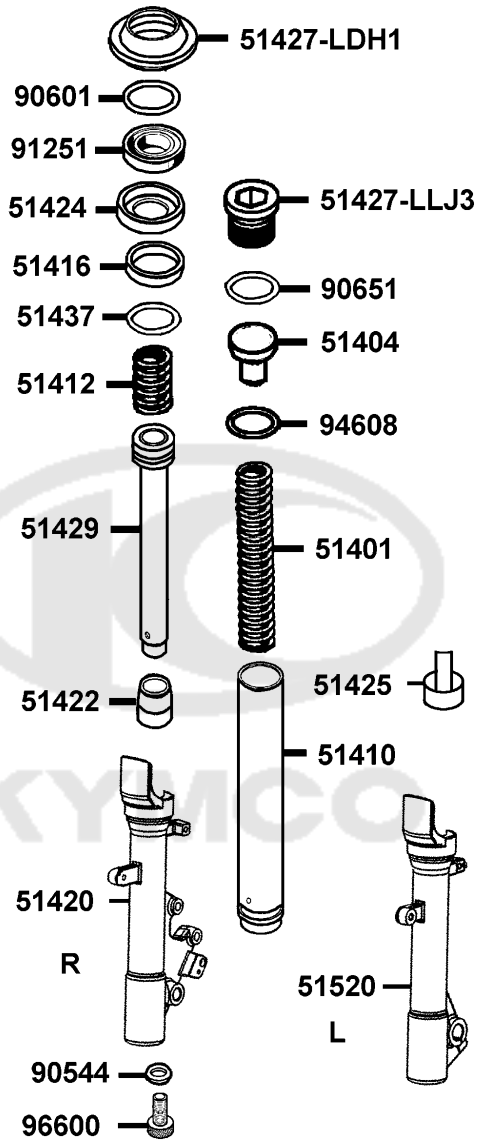


Sales mark	Ref no	Part no	Description	Reg description	Regd no	F20
	93404-06016	93404-06016-06	BOLT WASHER 6*16	BOLT WASHER 6*16	5	
	93404-06025	93404-06025-06	BOLT WASHER 6*25	BOLT WASHER 6*25	2	
	94050-06080	94050-06080	NUT FLANGE 6MM	NUT FLANGE 6MM	2	
	95002-02100	95002-02100	CLIP B15 TUBE	CLIP B15 TUBE	1	
	95002-70000	95002-70000	CLIP C11 TUBE	CLIP C11 TUBE	2	
	95002-KHE7	95002-KHE7-900	CLIP WATER HOSE	CLIP WATER HOSE	5	



F21

Separated Parts Of Fr Fork



Sales mark	Ref no	Part no	Description	Reg description	Regd no	F21
	51401	51401-LDH1-E00	SPRING	SPRING	1	
	51404	51404-LDH1-E00	SPRING COLLAR	SPRING COLLAR	1	
	51410	51410-LEA7-E00	FORK PIPE COMP	FORK PIPE COMP	1	
	51412	51412-LLJ3-E00	REBOUND SPRING	REBOUND SPRING	1	
	51416	51416-LDH1-E00	GUIDE BUSH	GUIDE BUSH	1	
**	51420	51420-LEA7-E00	BOTTOM CASE R	BOTTOM CASE R	1	
	51422	51422-KED9-900	OIL LOCK PIECE	OIL LOCK PIECE	1	
	51424	51424-LDH1-E00	SPACER	SPACER	1	
	51425	51425-LEA7-E00	FORK FENDER	FORK FENDER	1	
	51427-LDH1	51427-LDH1-E00	DUST SEAL	DUST SEAL	1	
	51427-LLJ3	51427-LLJ3-E00	FORK BOLT CAP	FORK BOLT CAP	1	
	51429	51429-LEA7-E00	PIPE SEAT COMP	PIPE SEAT COMP	1	
	51437	51437-LDH1-E00	PISTON RING	PISTON RING	1	
**	51520	51520-LEA7-E00	BOTTOM CASE L	BOTTOM CASE L	1	
	90544	90544-KEC8-900	PACKING	PACKING	1	
	90601	90601-LLJ3-E00	OIL SEAL STOPPER RING	OIL SEAL STOPPER RING	1	
	90651	90651-LLJ3-E00	STOPPER RING	STOPPER RING	1	
	91251	91251-LLJ3-E00	OIL SEAL	OIL SEAL	1	
	94608	94608-LLJ3-E00	O-RING	O-RING	1	
	96600	96600-LBA2-E00	BOCKET BOLT	BOCKET BOLT	1	

• Be sure to wear a safety helmet when riding.
 • Do not exceed the speed specified by law when riding.
 • The exhaust muffler temperature is very high after riding. Be sure to park the motorcycle in a place not easily touched by people.
 • For riding safety and good performance, do not violate the law to modify the motorcycle.
 • Please read the User's Manual carefully to secure driving safety.

• Make sure to perform the periodic maintenance and pre-ride inspection.
 Pre-ride Inspection Items
 Brake Performance, tires, engine oil level, lights, horn, and instrument panel.
 KWANG YANG MOTOR CO., LTD.
 87560-LEA7-100

87560

CAUTIONS
 Never put any article between the rear side cover and the engine to avoid interference of riding.
 GM9-300

87542

CAUTIONS
 Before starting the engine, the side stand shall be kicked up to secure safety.

87541-GAR1

CAUTIONS
 TIRE SIZE :FRONT 120/80-14 REAR 150/70-13
 (ONE RIDER) :FRONT 2.0 kgf/cm² REAR 2.25kgf/cm²
 (TWO RIDER) :FRONT 2.0 kgf/cm² REAR 2.25kgf/cm²
 LOAD CAPACITY :SHIELD 1.5Kg CLIP ASSY CENTER 3Kg
 (AS PER KYMCO STANDARD SPECIFICATION)
 (NOTE:THE TIRE PRESSURE MUST NOT OVER PASS 2.50kgf/cm²)
 CHECK THE MOTOR OIL LEVEL WITH THE DIPSTICK AFTER REFILLING MOTOR OIL.
 87505-LEA7-E01

87505

CAUTIONS
 Every 5000 km run should exchange the filter.
 KKE-E00

87512

CAUTION
 Mobile phone charge only, Use other appliance may cause damage.
 KKC2-E000

87541-KKC2

Sales mark	Ref no	Part no	Description	Reg description	Regd no	F22
**	87505	87505-LEA7-E01	LABEL TIRE	LABEL TIRE	1	
**	87512	87512-KEBE-E00	CAUTION FILTER	CAUTION FILTER	1	
**	87541-GAR1	87541-GAR1-E00	CAUTION SIDE STAND	CAUTION SIDE STAND	1	
**	87541-KKC2	87541-KKC2-E00	CAUTION MOBILE PHONE	CAUTION MOBILE PHONE	1	
**	87542	87542-GAR1-E00	MARK MAINT CAUTION	MARK MAINT CAUTION	1	
**	87560	87560-LEA7-E00	MARK DRIVE CAUTION	MARK DRIVE CAUTION	1	





86202



87140-LEA7

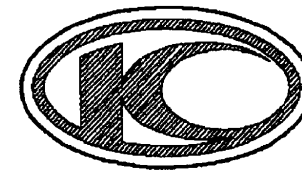


87140-LDG7

A rectangular logo with a double-line border containing the text 'MODEL YEAR: 2011' in a bold, sans-serif font. A large, faint KYMCO logo is visible in the background.

MODEL YEAR: 2011

87571



86102

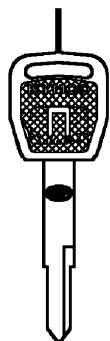
Sales mark	Ref no	Part no	Description	Reg description	Regd no	F23
**	86102	86102-LEA5-E00	EMB K-LOGO 28MM	EMB K-LOGO 28MM	1	
**	86202	86202-LEA7-E01	EMB BODY COVER	EMB BODY COVER	2	
**	87140-LDG7	87140-LDG7-M00	EMB MARK MIT	EMB MARK MIT	1	
**	87140-LEA7	87140-LEA7-E00	EMB MARK 300i	EMB MARK 300i	2	
**	87571	87571-HCKC-B00	MODEL YEAR	MODEL YEAR	1	



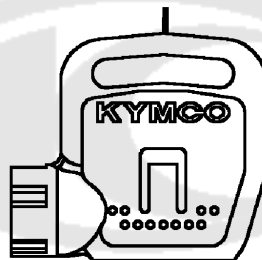
35111-LDC1-305-M1



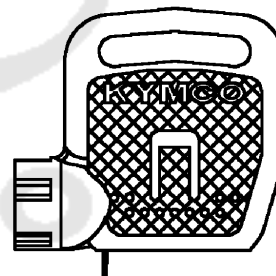
35111-LDC1-305-M2



35111-LDC1-307-M1



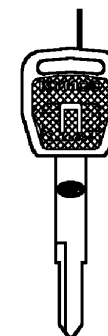
35111-LDC1-307-M2



35111-LDC1-306-M1



35111-LDC1-306-M2



Sales mark	Ref no	Part no	Description	Reg description	Regd no	F24
	35111-LDC1-305-M1	35111-LDC1-305-M1	KEY COMP (R TANGENT PLANE/SD)	KEY COMP (R TANGENT PLANE/SD)	1	
	35111-LDC1-305-M2	35111-LDC1-305-M2	KEY COMP (R TANGENT PLANE/TJ)	KEY COMP (R TANGENT PLANE/TJ)	1	
	35111-LDC1-306-M1	35111-LDC1-306-M1	KEY COMP (L TANGENT PLANE/SD)	KEY COMP (L TANGENT PLANE/SD)	1	
	35111-LDC1-306-M2	35111-LDC1-306-M2	KEY COMP (L TANGENT PLANE/TJ)	KEY COMP (L TANGENT PLANE/TJ)	1	
	35111-LDC1-307-M1	35111-LDC1-307-M1	KEY COMP SHOTTER MAGNETIC (SD)	KEY COMP SHOTTER MAGNETIC (SD)	1	
	35111-LDC1-307-M2	35111-LDC1-307-M2	KEY COMP SHOTTER MAGNETIC (TJ)	KEY COMP SHOTTER MAGNETIC (TJ)	1	



PART NO. INDEX

PART NO.	VERSION	PAGE	PART NO.	VERSION	PAGE	PART NO.	VERSION	PAGE
0000			11203-LBA2-E00	2	E01			
			11203-LBA2-E00	2	F16	13000		
			11212-LEA7-E00	1	F13			
0901-880-6000	0	E05	1121A-LEA7-E00	1	F13	13000-LEA7-E00	4	E03
0901-911-6000	0	E05	1122A-LEA7-E00	0	E01	13011-LEA7-E00	1	E03
			11330-LEA7-E00	7	E04	13101-LEA7-E00	9	E03
1000			11340-LEA7-E00	0	E01	13111-LEA7-E00	1	E03
			11344-LEA7-E00	0	E01	13314-LEA7-E0A	3	E01
1190-0017-0000	0	E05	11345-LEA7-E00	1	E01	13314-LEA7-E0B	3	E01
1190-C74-2000	0	E05	11346-GFY6-901	0	E01	13314-LEA7-E0C	3	E01
1614-868-0000	0	E05	11347-LEA7-E00	2	E06	13406-LEA7-E00	0	E02
1614-906-0002	0	E05	1134A-LEA7-E00	7	E01			
			1134B-LEA7-E00	0	E01	14000		
3000			11384-LEA7-E05	2	F20			
			11394-LEA7-E00	8	E04	14100-LEA7-E00	9	E02
3700-A35B-0100	0	E05	11395-LEA7-E00	0	E01	14321-LEA7-E00	2	E02
3791-HN80-0000	0	F10				14401-PWB1-900	2	E03
			12000			14420-LEA7-E00	1	E02
4000						14430-LEA7-E00	1	E02
			12100-LEA7-E00	7	E03	14433-PTA1-900	2	E02
4115-803-1100-3	0	E05	12191-LEA7-E00	1	E03	14434-PTA1-900	1	E02
			12200-LEA7-E00	4	E02	14452-LEA7-E00	2	E02
11000			12209-GDB4-68A	0	E02	14453-LEA7-E00	2	E02
			12251-LEA7-E00	1	E02	14510-LEA7-E00	1	E03
11103-KHE7-900	0	E01	12310-LEA7-E00	5	E02	14520-KED9-900	1	E03
1110A-LEA7-E05	0	E01	12391-LEA7-E00	5	E02	14523-GFY6-901	0	E03

PART NO. INDEX

PART NO.	VERSION	PAGE	PART NO.	VERSION	PAGE	PART NO.	VERSION	PAGE
14531-KHE7-900	0	E03						
14610-LEA7-E00	0	E03	16000			18000		
14711-LEA7-E00	2	E02						
14721-LEA7-E00	5	E02	1610K-LEA7-E00	0	E05	18291-KEBE-900	0	F14
14751-LEA7-E00	6	E02	16201-LEA7-E00	0	E02	18291-KKC4-900	0	E01
14761-LEA7-E00	0	E02	16211-LEA7-E00	0	E02	18291-PWB1-900	2	F14
14771-GDB4-680	2	E02				18292-KEBE-900	0	F14
14777-LBA2-E00	3	E02	17000			18293-KEBE-900	0	F14
14781-MFA6-001	0	E02				18293-KKC4-900	0	E01
15000			1711A-LEA7-E05	1	E02	18294-KEBE-900	0	F14
			17211-LEA7-E00	0	F13	18294-LDB2-900	0	F14
			1723A-LEA7-E00	0	F13	18306-LEA7-E00	1	F14
15100-LEA7-E00	2	E07	1723B-LEA7-E00	0	F13	1830A-LEA7-E00	9	F14
15133-LGF9-E00	0	E07	1737A-KUDU-900	0	F13	18310-LEA7-E00	7	F14
15141-LGF9-E00	0	E07	17500-LEA7-E00	0	F10	18318-LEA7-E00	1	F14
15161-PUA5-E00	5	E01	17511-LEA7-E00	0	F19	18320-LEA7-E00	2	F14
15200-KED9-900	7	E01	17512-LEA7-E00	0	F19	18325-LEA7-E00	0	F14
1541A-LEA7-E00	5	E04	17530-KGB5-900	1	F05	18371-LEA7-E00	0	F14
15421-LEA7-E00	0	E01	17550-LEA7-800	0	F10	18391-LEA7-E00	1	F14
15421-LEA7-E05	5	E01	17620-LEA7-315-M1	0	F10			
15423-KKC3-900	1	E04	17620-LEA7-315-M2	0	F10	19000		
15437-LEA7-E00	0	E04	17685-KZCZ-900	0	F05			
1565A-LGF9-E00	1	E04	17685-LEA7-E00	2	F10	19005-LFA7-E00	2	F20
15711-LEA7-E00	0	E07	17910-LEA7-E00	2	F03	19010-LFA7-E00	0	F20
15772-5L00-013	1	F13	17911-LEA7-E00	2	F03	19012-LEA7-E05	1	F20
						19013-LEA7-E00	2	F20

PART NO. INDEX

PART NO.	VERSION	PAGE	PART NO.	VERSION	PAGE	PART NO.	VERSION	PAGE
19014-LEA7-E00	3	E04				23200-LGE5-E00	1	E06
19014-LEA7-E00	3	F20	21000			23220-LGE5-E00	0	E06
19015-LEA5-E00	1	F20				23225-LEA7-E00	1	E06
19016-LEA7-E00	6	F20	21301-LEA7-E00	1	E08	23226-LEA7-E00	1	E06
19020-KED9-900	1	F20	21395-LEA7-E00	1	E08	23233-LEA7-E00	5	E06
19030-KHD8-900	2	F20				23237-KHE7-900	0	E06
19101-LEA7-E00	1	F20	22000			23238-KHE7-900	0	E06
19102-LEA7-E00	1	F20				23411-LEA7-E00	9	E08
19104-LBA2-E00	1	F20	22100-LEA7-E00	5	E06	23420-LEA7-E00	3	E08
19105-LEA7-E00	1	F20	22102-LEA7-E00	0	E06	23431-LEA7-E00	2	E08
19111-GBE2-004	1	F20	22105-LGF9-E00	2	E06	23432-LEA7-E00	1	E08
19210-KKC4-900	0	F20	22110-LGE5-E00	2	E06			
19215-LEA7-E00	0	E04	22121-LEA7-E00	1	E06	28000		
19217-6G57-024	0	E04	22131-LGE5-E00	1	E06			
19221-LGE5-E00	1	E04	22132-PWB1-900	4	E06	28102-LEA7-E00	1	E07
19229-LEA7-E00	3	E04	22300-LGE5-E00	2	E06	28110-LEA7-E00	3	E07
19231-LEA7-E00	1	E04	22350-KHE7-900	1	E06	28120-LDB2-E00	0	E07
19232-LBA2-E00	2	E04	22361-LEA7-E00	1	E06	28130-LEA7-E00	2	E07
19300-LFA7-E0A	1	E02	22401-KHE7-900	2	E06			
19315-LFA7-E00	5	E02	22530-LGE5-E00	1	E06	30000		
19502-LEA7-E00	1	E04	22804-GBB2-001	0	E06			
19504-LBA2-E00	3	F10				3051A-LDF2-900	4	F18
19505-LBA2-E00	4	E04	23000			30700-KFC8-E0H	1	F18
19505-LBA2-E00	4	F20						
19508-LBA2-E00	0	E04	2301A-LGE5-E00	3	E06			
19613-LEA7-E00	0	E01	23100-LEA7-E00	1	E06			

PART NO. INDEX

PART NO.	VERSION	PAGE	PART NO.	VERSION	PAGE	PART NO.	VERSION	PAGE
31000			33130-LEA7-E00	0	F01	35102-KFB7-305-M1	0	F18
			33180-LEA7-E00	0	F01	35102-KFB7-305-M2	0	F18
			33701-LEA7-E00	0	F17	35102-LEB1-90A	0	F18
31110-LEA7-E0B	1	E07	33706-LEA7-E00	0	F17	35102-LEB1-90B	0	F18
31120-LEA7-E0B	4	E07	33708-KHE7-E00	0	F17	35111-LDC1-305-M1	0	F24
31210-LEA7-E00	3	E07	33709-KHE7-E00	0	F17	35111-LDC1-305-M2	0	F24
31340-LFH1-E00	1	F18	33720-LBB5-E00	2	F17	35111-LDC1-306-M1	0	F24
31500-LEA6-900	3	F11	33726-LBB5-E00	1	F17	35111-LDC1-306-M2	0	F24
31500-LEA6-90B	1	F11	33741-LEA7-E00	0	F17	35111-LDC1-307-M1	0	F24
31600-KED9-900	4	F18	33900-KKE5-E00	2	F12	35111-LDC1-307-M2	0	F24
31601-LEA7-E00	0	F18				35119-LEB1-90A	0	F18
3195A-LEA7-E05	0	F18	34000			35119-LEB1-90B	0	F18
32000			34901-KGB5-M30	0	F01	3515A-LBA2-E01	1	F03
			34903-KPCP-900	0	F17	3520A-KEBE-900	2	F03
32100-LEA7-E05	2	F18	34905-LCA5-E00	0	F17	35340-KNBN-901	0	F04
32101-LEA7-E00	1	E02	34905-LEA7-E00	0	F01	35350-KNBN-901	0	F04
32105-LLJ3-E00	2	E01	34906-KPCP-900	0	F17	35370-LLJ3-E00	3	F15
32410-LEA7-E00	1	E07	34909-KKE5-E00	0	F12	35380-LDF2-900	2	F18
32411-LEA7-E00	2	F11				35420-LFH1-E00	1	F18
32412-LEA7-E00	1	E04	35000			35500-KED9-900	6	E01
33000			35010-LEA7-335-M1	0	F18	35850-KHB4-90A	2	F18
			35010-LEA7-335-M2	0	F18	35850-KHB4-90B	3	F18
33110-LEA7-E00	0	F01	35101-LEA7-335-M1	0	F18	37000		
33120-LEA7-E00	0	F01	35101-LEA7-335-M2	0	F18	37200-LEA7-E00	0	F02

PART NO. INDEX

PART NO.	VERSION	PAGE	PART NO.	VERSION	PAGE	PART NO.	VERSION	PAGE
37211-KKE5-E00	0	F02						
37213-KKE5-E00	0	F02	42000			44000		
37216-LEA7-E00	0	F03						
37720-KGB5-900	0	E02	42311-LEA7-900	1	F08	44301-LEA7-E00	3	F07
37750-PAC1-005	0	E02	42312-LEA7-E00	1	F08	44311-LEA7-E00	2	F07
37760-KHD8-900	0	F20	42601-LEA7-E00	7	F08	44312-LEA7-E00	4	F07
38000			42710-LEA7-E0A	3	F08	44600-LEA7-305	0	F07
			42710-LEA7-E0B	5	F08	44620-LEA7-E00	3	F07
			42753-KNBN-90B	1	F07	44710-LEA7-E0A	2	F07
38110-KKC3-90B	1	F18	42753-KNBN-90B	1	F08	44710-LEA7-E0B	5	F07
38300-LEA7-E0A	0	F18	43000			45000		
38500-KHD8-900	0	F18						
38500-KHD8-90A	0	F18						
39000			43100-LEA7-E00	6	F08	45105-LEA7-305	0	F07
			43105-LEA7-305	0	F08	45107-LEA7-E00	0	F07
			43126-LEA7-E00	0	F04	45108-LDH1-E00	0	F08
39100-LEA7-E00	1	F18	43156-LEA7-E00	1	F16	45108-LEA7-E00	0	F07
39200-LEA7-E05	0	F18	43210-LEA7-E00	0	F08	45109-GBE2-007	0	F08
39209-LEA7-E00	2	F19	43351-LEA7-E00	4	F08	45109-KED9-900	0	F07
39220-LDF2-900	1	F18	43352-KED9-900	0	F07	45126-LEA7-E00	3	F04
39300-LDF2-M90	0	E02	43352-KKD6-E90	1	F08	45128-LBA2-920	1	F06
39301-LDF2-M90	0	E02	43353-4A61-77A	0	F08	45129-LBA2-900	1	F06
39400-LDF2-800	2	E02	43353-KED9-900	0	F07	4512A-LEA7-E00	3	F07
39450-LDF2-800	2	F14	43530-LEA7-305	0	F04	45130-KED9-900	0	F07
						45131-LDH1-E00	0	F08
						45132-KED9-900	0	F07

PART NO. INDEX

PART NO.	VERSION	PAGE	PART NO.	VERSION	PAGE	PART NO.	VERSION	PAGE
45134-KED9-900	0	F07	50356-LEA7-E01	1	F19	51427-LLJ3-E00	0	F21
45135-KED9-900	0	F07	50360-LEA7-E00	3	F19	51429-LEA7-E00	0	F21
45200-LEA7-E00	6	F07	50364-KHE7-E00	0	F19	51430-LEA7-E00	0	F08
45209-GBE2-007	0	F08	50500-LEA7-E05	1	F15	51437-LDH1-E00	0	F21
45210-LEA7-305	0	F07	50502-LDF7-E10	0	F15	51500-LEA7-E00	3	F06
45352-LEA7-E00	2	F07	50504-LEA7-E05	1	E01	51520-LEA7-E00	0	F21
45513-LEA7-E00	1	F04	50505-KUDU-900	1	F15			
45517-LBA2-E00	2	F04	50505-LEA7-E00	0	F15	52000		
45520-KKA8-900	0	F04	50506-KHE7-E00	0	F15			
45530-LBA2-308	0	F04	50530-LEA7-E05	1	F15	52000-LEA7-E00	9	F16
45531-GAR1-951	0	F08	50550-KKC2-E00	0	F15	52400-LEA7-E00	1	F16
50000			50613-LEA7-E00	1	F19	53000		
			51000					
50100-LEA7-E00	9	F19				53100-LEA7-E00	3	F03
50179-LEA7-E00	1	F19	51400-LEA7-E00	3	F06	53105-LEA7-E00	3	F03
50187-LEA7-E00	1	F19	51401-LDH1-E00	0	F21	53106-LEA7-E00	0	F03
50188-LEA7-E00	1	F19	51404-LDH1-E00	0	F21	53125-LEA7-E00	1	F03
50190-LEA7-E00	1	F19	51410-LEA7-E00	0	F21	53140-LEA7-E00	4	F03
50306-1F96-001	0	F06	51412-LLJ3-E00	0	F21	53150-LEA6-900	3	F03
5032A-LEA5-E00	3	F11	51416-LDH1-E00	0	F21	53175-KKE5-E00	0	F04
5032A-LEA7-E00	0	F11	51420-LEA7-E00	0	F21	53178-KKE5-E00	0	F04
50350-LEA7-E00	3	F19	51422-KED9-900	0	F21	53200-LEA7-E00	2	F06
50353-KGN7-901	0	F19	51424-LDH1-E00	0	F21	53203-LEA7-E00	2	F03
50353-LEA7-E00	1	F19	51425-LEA7-E00	0	F21	53204-LEA7-E00	9	F03
50356-LEA7-E00	0	F19	51427-LDH1-E00	0	F21	53205-LEA7-E00	5	F03

PART NO. INDEX

PART NO.	VERSION	PAGE	PART NO.	VERSION	PAGE	PART NO.	VERSION	PAGE
53206-LEA7-E00	2	F03	64303-LEA7-E00	0	F05	77235-LEA7-E0E	0	F18
53207-LEA7-E00	0	F03	64304-LEA7-E00	0	F05	77235-LEA7-E0G	0	F18
53213-LBA2-E00	2	F06	64305-LEA7-E00	2	F05	77235-LEA7-E0H	0	F18
53214-LBA2-E00	2	F06	64306-LEA7-E00	2	F05	77240-LEA7-E00	6	F18
53220-LBA2-E00	2	F06	64307-LEA7-E00	4	F05	77300-LEA7-E00	0	F09
53240-LBA2-E00	2	F06	64310-LEA7-E00	3	F05	77303-LEA7-E00	0	F09
53250-LBA2-E00	2	F06	64311-LEA7-E00	1	F05	77500-LEA7-E00	0	F09
			64312-LEA7-E00	6	F05	77501-LEA7-E00	0	F09
			64313-LEA7-E00	6	F05			
61000			64315-LEA7-E00	7	F19	80000		
61100-LEA7-E00	3	F06	64317-LEA7-E00	0	F05			
61101-LEA7-E00	1	F05	64318-LEA7-E00	0	F05	80100-LEA7-E00	2	F17
			64320-LEA7-E00	0	F05	80101-LEA7-E00	2	F17
64000			64330-LEA7-E00	3	F05	80102-LEA7-E00	1	F17
			64340-LEA7-E00	0	F05	80103-LEA7-E00	0	F17
64206-MLJ0-001	1	F12	64350-LEA7-E00	0	F05	80104-LBA2-E00	1	F12
64220-LEA7-E00	0	F03	64360-LEA7-E00	0	F05	80105-LEA7-E00	1	F17
64220-LEA7-E00	2	F03	64400-LEA7-E00	2	F05	80106-LEA7-E00	3	F17
64221-LEA7-E00	0	F03	64401-LEA7-E00	2	F05	80107-LEA7-E00	0	F17
64222-LEA7-E00	0	F03	64500-LEA7-E00	2	F05	80151-LEA7-E00	1	F05
64222-LLJ3-E00	1	F06				80152-LEA7-E00	2	F05
64223-LEA7-E00	2	F03	77000			80153-LEA7-E00	1	F05
64224-LEA7-E00	0	F03						
64225-LEA7-E00	1	F03	77200-LEA7-305	0	F09	81000		
64226-LEA7-E00	1	F03	77206-KEB7-900	0	F09			
64301-LEA7-E00	2	F05	77235-LEA7-E0D	0	F18	81131-LEA7-E00	1	F05

PART NO. INDEX

PART NO.	VERSION	PAGE	PART NO.	VERSION	PAGE	PART NO.	VERSION	PAGE
81132-LEA7-E00	3	F05	83600-LEA7-E00	0	F12			
81134-LEA7-E00	1	F05	83620-LEA7-E00	4	F05	88000		
81136-LEA7-E00	1	F05	83750-LEA7-E00	2	F12			
8113A-LEA7-E00	9	F05	83751-LEA7-E00	1	F12	88110-LEA7-E00	3	F03
81141-LEA7-E00	2	F05	8376A-KEBE-900	4	F05	88120-LEA7-E00	3	F03
81150-LEA7-E00	6	F05						
81200-LEA7-E00	6	F12	86000			89000		
81210-LEA7-E00	2	F12						
81220-LEA7-E00	2	F12	86102-LEA5-E00	1	F23	89010-LEA7-E00	1	F09
81251-LEA7-E00	0	F12	86202-LEA7-E01	0	F23	89020-KKC4-900	1	F09
81252-KKE5-E00	2	F12						
81252-LEA7-E00	0	F12	87000			90000		
81260-LEA7-E00	0	F12						
			87140-LDG7-M00	0	F23	90001-GBHB-661	2	E03
83000			87140-LEA7-E00	0	F23	90001-GBHB-661	2	E07
			87505-LEA7-E01	0	F22	90001-GFY6-901	4	E02
83500-LEA7-E00	0	F12	87508-KKC4-E00	1	F03	90001-LEA7-E00	2	E02
83503-KHD6-900	2	F19	87512-KEBE-E00	0	F22	90005-KEC8-900	3	E03
83520-LEA7-E00	4	F05	87541-GAR1-E00	1	F22	9000B-KHD6-900	2	E02
83550-KEC8-900	0	F05	87541-KKC2-E00	1	F22	90012-3C33-001	2	E02
83550-KEC8-900	0	F06	87542-GAR1-E00	2	F22	90017-KKE5-E00	4	E02
83550-KEC8-900	0	F17	87560-LEA7-E00	0	F22	90032-LEA7-E00	1	E01
83551-KEC8-900	0	F05	87571-HCKC-B00	6	F23	90033-KGB4-C00	0	E02
83551-KEC8-900	0	F06				90084-KKF9-901	0	E04
83551-KEC8-900	0	F17				9008A-KBE2-900	0	E04
83551-LEA7-E00	0	F05				90101-LEA7-E00	0	F14

PART NO. INDEX

PART NO.	VERSION	PAGE	PART NO.	VERSION	PAGE	PART NO.	VERSION	PAGE
90103-LEA7-E00	0	F14	90301-6D34-671	1	F10	90423-KKJ9-001	0	E04
90104-LEA7-E00	2	F03	90301-6D34-671	1	F17	90428-9H58-001	0	E04
90105-KFC2-900	0	F12	90301-6D34-671	1	F20	90474-3C33-001	1	E01
90105-LEA7-E00	0	F07	90301-GFY6-901	2	F14	90478-7L00-001	0	E02
90105-LEA7-E00	0	F08	90302-GBR2-001	1	F17	90478-7L00-001	0	E04
90106-GEN5-901	0	F03	90302-GFY6-940	1	F11	90503-LEA7-E00	2	F06
90106-KFA6-900	0	F12	90302-LLB1-E00	2	F03	9052A-LEB1-900	1	E01
90106-LEA7-E00	1	F19	90302-LLB1-E00	2	F16	90544-KEC8-900	0	F21
90107-LEA7-E00	3	F03	90302-PWA5-900	1	F17	90545-3L00-001	2	F04
90107-LEA7-E00	3	F06	90302-SDA4-004	2	F03	90601-LLJ3-E00	0	F21
90108-KKC4-900	1	F15	90302-SDA4-004	2	F05	90605-1F66-721	0	E06
90112-KNBN-901	1	F11	90302-SDA4-004	2	F12	90651-LLJ3-E00	0	F21
90113-KKA8-900	0	F04	90302-SDA4-004	2	F17	90652-KHE7-900	0	F13
90114-GDM4-011	2	F13	90302-SDA4-004	2	F19	90652-LCA4-E00	1	F05
90117-KED9-900	1	F19	90304-GHE8-004	0	F03	90652-LCA4-E00	1	F17
90122-LEA7-E00	1	F07	90304-GHE8-004	0	F19	90652-LCA4-E00	1	F19
90122-LEA7-E00	1	F08	90304-LBD4-900	2	F19	90652-LDG7-900	1	E02
90145-MKS9-61A	1	F04	90305-KKAK-900	0	F08	90652-LEC8-E00	1	F05
90201-KHE7-900	0	E06	90305-LBA2-E00	1	F05	90652-LGL7-E00	0	F18
90201-KHR8-75A	0	E06	90305-LBA2-E00	1	F06	90656-KCBC-900	0	F18
90201-KHR8-75A	0	E07	90305-LBD4-900	1	F19	90677-GAR1-004	1	F11
90202-LEA7-E00	0	E06	90312-LLJ3-E01	0	F06	90701-9E65-001	0	E01
90206-0A01-001	1	E02	90401-KKJ9-001	0	E07	90754-LLJ3-E00	1	F07
90215-KKC4-900	1	F09	90401-LEA7-E00	0	E06	90914-LEA7-E05	2	F20
90215-KKC4-900	1	F12	90402-LEA7-E00	4	E03			
90301-6D34-671	1	F01	90403-LEA7-E00	0	E06			

PART NO. INDEX

PART NO.	VERSION	PAGE	PART NO.	VERSION	PAGE	PART NO.	VERSION	PAGE	
91000			91309-4E25-004	0	E07	93600-04012-1G	0	F04	
			91351-KHE7-900	0	E06	93600-06032-0H	2	E07	
			91507-LEA7-E00	1	F18	93892-04008-18	0	E05	
	91002-GGA7-70A	0	E06	91552-LEA7-E00	0	E01	93893-04012-18	0	F04
	91004-LEA7-E00	0	E06			93894-04022-08	1	F18	
	91005-LBA7-900	1	E01	92000		93903-25460	0	F13	
	91009-KHE7-900	0	E01			93903-34360	0	F03	
	91201-LEA7-E00	0	E01	92000-05016-0H	0	E02	93903-34360	0	F05
	91202-KGB4-C00	1	E04	92101-05012-0H	0	E07	93903-34360	0	F17
	91202-LEA7-E00	0	E08	92101-05032-0H	0	E07	93903-34760	0	F05
	91211-KHE7-900	0	E06	92900-06040-0E	2	E02	93903-35260	0	F03
	91251-LLJ3-E00	0	F21			93903-35320	0	F01	
	91255-KHE7-900	0	E01	93000		93903-35320	0	F02	
	91255-LEA7-E00	0	F16			93903-35360	0	F17	
	91255-LLB1-900	1	F16	93401-06020-07	0	F14	93903-GFY6-900	1	F03
	91301-2L00-001	0	E01	93404-06016-06	0	F03	93903-GFY6-900	1	F05
	91301-LDF2-M90	0	E02	93404-06016-06	0	F05	93903-GFY6-900	1	F12
	91302-5G67-004	0	E04	93404-06016-06	0	F12	93903-GFY6-900	1	F17
	91302-LDF2-M90	0	E02	93404-06016-06	0	F15	93903-KEB7-900-06	1	F03
	91302-LEA7-E00	1	E02	93404-06016-06	0	F17	93903-KEB7-900-06	1	F05
91303-3G77-001	0	E04	93404-06016-06	0	F19				
91303-LEA7-E00	0	E04	93404-06016-06	0	F20	94000			
91306-1E05-691	0	E03	93404-06025-06	0	F03				
91306-PUA5-E00	3	E01	93404-06025-06	0	F20	94050-05080	0	F17	
91307-0E35-001	0	E04	93500-03010-1A	0	E07	94050-06060	0	F04	
91307-PUA5-E00	3	E01	93500-KHC4-90A	0	F18	94050-06080	0	E02	

PART NO. INDEX

PART NO.	VERSION	PAGE	PART NO.	VERSION	PAGE	PART NO.	VERSION	PAGE
94050-06080	0	F09				95801-10060-06	0	F14
94050-06080	0	F18	95000			95801-10060-06	0	F16
94050-06080	0	F19						
94050-06080	0	F20	95002-02080	0	F05	96000		
94050-10060	0	E01	95002-02100	0	F20			
94101-08600	0	F15	95002-02150	0	F13	96001-06010-00	0	E04
94101-LBA2-E00	1	F19	95002-50000	0	E01	96001-06010-06	0	E02
94102-LBA2-E00	1	F19	95002-70000	0	F20	96001-06012-06	0	F06
94251-08400	0	F15	95002-KHE7-900	0	F20	96001-06012-06	0	F18
94301-08100	1	E02	95014-72204	0	F15	96001-06012-08	0	E07
94301-08140	0	E04	95701-06008-06	1	F06	96001-06020-06	0	E01
94301-10160	0	E01	95701-06012-08	0	F19	96001-06020-08	0	F18
94301-10160	0	E04	95701-06016-06	1	F19	96001-06022-08	0	E04
94301-10160	0	E08	95701-06016-08	0	E02	96001-06025-06	0	E02
94301-12200	1	E02	95701-06022-06	1	F14	96001-06025-06	0	E03
94301-12200	1	E03	95701-06045-06	0	F06	96001-06028-06	0	F04
94303-04065	0	E07	95701-06045-08	0	F19	96001-06028-08	0	E04
94401-25140	4	E03	95701-08012-08	0	E01	96001-06030-08	0	E01
94510-10000	0	E07	95701-08012-08	0	F18	96001-06035-08	0	E04
94510-14000	0	E04	95701-08035-08	0	E08	96001-06070-08	0	E01
94510-25000	0	E08	95701-08040-08	0	E08	96001-06080-08	0	E01
94520-28000	0	E06	95701-LDF2-800	2	F10	96001-GFY6-900	1	F13
94520-47000	0	E01	95701-LEA5-E00	1	F18	96100-62050-00	2	E08
94520-47000	0	F16	95801-08040-08	0	F06	96100-63020-00	0	E01
94601-17000	0	E03	95801-10030-06	0	F15	96100-63020-00	0	E08
94608-LLJ3-E00	0	F21	95801-10040-02	0	F16	96100-63040-00	1	E08

PART NO. INDEX

PART NO.	VERSION	PAGE	PART NO.	VERSION	PAGE	PART NO.	VERSION	PAGE
96150-60020-10	0	F07						
96150-62040-10	0	F16						
96600-08015-10	1	E07						
96600-LBA2-E00	0	F21						
96700-KED9-900	2	F06						
98000								
98059-57916-00	2	E02						
98200-31000	1	F11						
98200-31000	1	F18						
98200-31500	0	F11						
98200-31500	0	F18						
98200-33000	0	F11						
98200-33000	0	F18						
W								
W1792-048-9901	0	E05						